

**RIVER VALLEY PRIMARY SCHOOL**  
**SEMESTRAL ASSESSMENT 1**  
**2017**  
**MATHEMATICS**  
**PRIMARY FOUR**

Name : \_\_\_\_\_ (      )

Class : Primary 4 ( \_\_\_\_\_ )

Date : 5 May 2017

Duration : 1 hour 45 minutes (Booklets A and B)

**BOOKLET A**

**Instructions to candidates**

- Do not open the booklet(s) until you are instructed to do so.
- Read all instructions provided in each section carefully.
- Show your workings as marks may be awarded.
- **REMEMBER TO SHADE THE CORRECT OVAL ON THE OAS.**



5. Which of the following numbers is not a common multiple of 4 and 6?

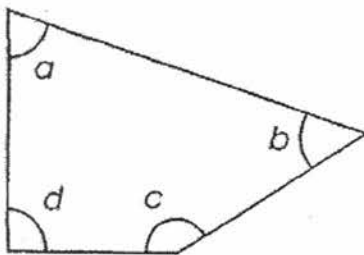
(1) 12

(2) 16

(2) 24

(4) 36

6. In the figure below, not drawn to scale, which angle is a right angle?



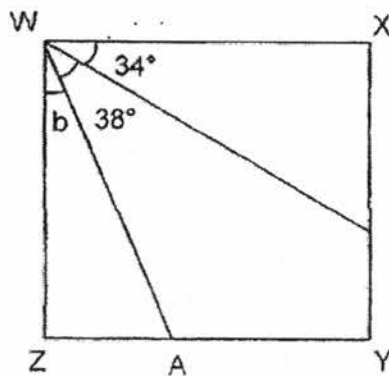
(1)  $\angle a$

(2)  $\angle b$

(3)  $\angle c$

(4)  $\angle d$

7. In the figure shown, not drawn to scale, WXYZ is a square. Find  $\angle b$ .



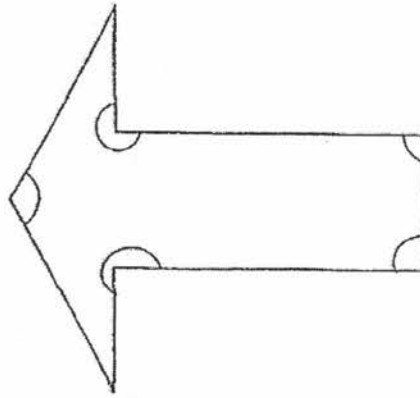
(1)  $18^\circ$

(2)  $28^\circ$

(3)  $72^\circ$

(4)  $108^\circ$

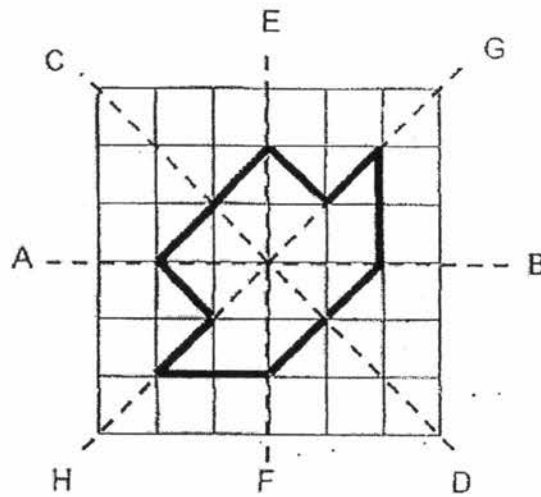
8. How many angle(s) in the figure below is/are smaller than a right angle?



- (1) 1
- (3) 3

- (2) 2
- (4) 4

9.



Which line above is the correct line of symmetry for the figure?

- (1) AB
- (3) EF

- (2) CD
- (4) GH

10. A 24-hour clock reads 01 00. It is faster by 1 h 45 min. What is the actual time?

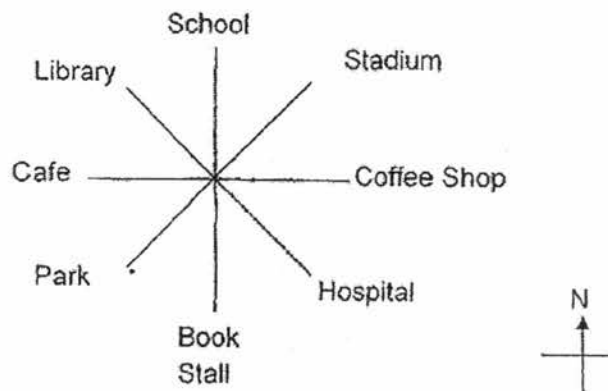
(1) 00 15

(2) 02 45

(3) 23 55

(4) 23 15

11. Terry is facing the Library after he made a  $270^\circ$  turn in the anticlockwise direction. Where was he facing at first?



(1) Park

(2) Stadium

(3) School

(4) Book Stall

12. The sum of two numbers is 9830. If one number is 204 less than the other, what is the smaller number?

(1) 4711

(2) 4813

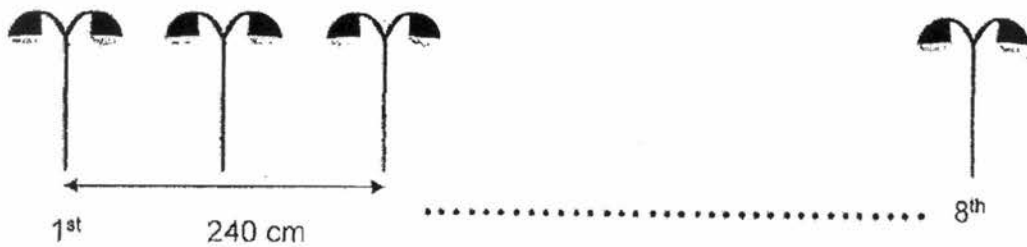
(3) 5017

(4) 5119

13. Simon finished a race in 125 seconds. Gary was 20 seconds faster than Simon. Peter was 10 seconds slower than Gary. Salim was 5 seconds faster than Peter. Who was the fastest in the race?

- |           |           |
|-----------|-----------|
| (1) Simon | (2) Gary  |
| (3) Peter | (4) Salim |

14. There are 8 lamp posts placed in a row at equal distance apart. The distance between the 1<sup>st</sup> and the 3<sup>rd</sup> lamp post is 240 cm. What is the distance between the 1<sup>st</sup> and the 8<sup>th</sup> lamp post?



- |            |            |
|------------|------------|
| (1) 560 cm | (2) 640 cm |
| (3) 840 cm | (4) 960 cm |

15. 12 pupils shared a box of sweets equally. If 4 pupils received 80 sweets, how many sweets were shared by the 12 pupils altogether?

- |          |         |
|----------|---------|
| (1) 1280 | (2) 960 |
| (3) 480  | (4) 240 |

16. Which of the letters below has only one line of symmetry?

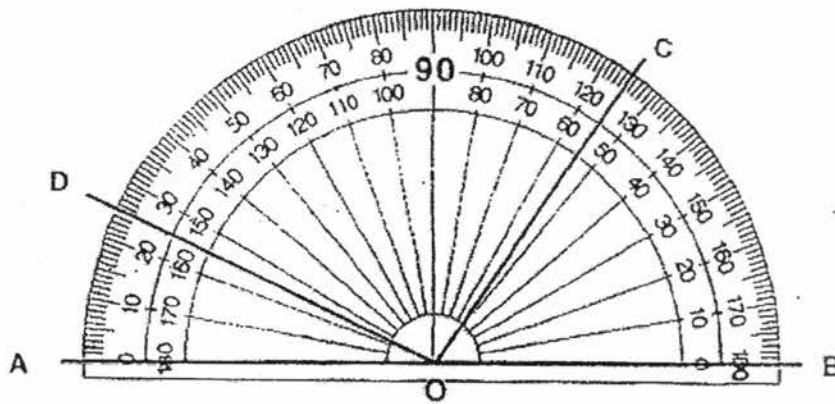
(1) A

(2) H

(3) S

(4) X

17. Look at the protractor below. Which angle is  $125^\circ$ ?



(1)  $\angle AOD$

(2)  $\angle AOC$

(3)  $\angle BOC$

(4)  $\angle BOD$

18. A group of children shared 15 pencils and 24 erasers. Each type of stationery is shared equally among the children. How many children are there in the group?

(1) 8

(2) 5

(3) 3

(4) 4

19. An iphone and 3 watches cost \$1008. The iphone costs thrice as much as each watch. What is the cost of an iphone?

(1) \$168

(2) \$252

(3) \$504

(4) \$756

20. The table below shows numbers from 1 to 16.

Which number is North-West of 11 and West of 2?

|    |    |    |    |
|----|----|----|----|
| 1  | 2  | 3  | 4  |
| 5  | 6  | 7  | 8  |
| 9  | 10 | 11 | 12 |
| 13 | 14 | 15 | 16 |



(1) 1

(2) 6

(3) 8

(4) 10

- End of Booklet A -



RIVER VALLEY PRIMARY SCHOOL  
SEMESTRAL ASSESSMENT 1  
2017  
MATHEMATICS  
PRIMARY FOUR

Name : \_\_\_\_\_ (       )

Class : Primary 4 ( \_\_\_\_\_ )

Date : 5 May 2017

Duration : 1 hour 45 minutes (Booklets A and B)

**BOOKLET B**

Instructions to candidates

- Do not open the booklet(s) until you are instructed to do so.
- Read all instructions provided in each section carefully.
- Show your workings as marks may be awarded.

SUMMARY OF MARKS :

| Section |                           | Questions | Marks Awarded | Maximum Marks |
|---------|---------------------------|-----------|---------------|---------------|
| A       | Multiple Choice Questions | 1 – 20    |               | 40            |
| B       | Short Answer Questions    | 21 – 40   |               | 40            |
| C       | Long Answer Questions     | 41 – 45   |               | 20            |
| Total   |                           |           |               | 100           |

Parent's Signature: \_\_\_\_\_

**Section B: Short Answer Questions (40 marks)**

Questions 21 to 40 carry 2 marks each. Show your working clearly and write your answers in the spaces provided. For questions which require units, give your answers in the units stated.

21. Write three hundred thousand, three hundred and sixteen in figures.

Answer: \_\_\_\_\_

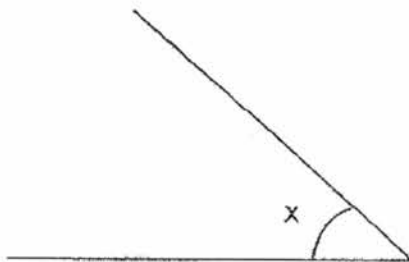
22. What is 1000 more than 29 985?

Answer: \_\_\_\_\_

23. 1 is a common factor of 6 and 18. List all the other common factors of 6 and 18.

Answer: \_\_\_\_\_

24. Use your protractor to measure and write down the size of  $\angle x$ .



Answer: \_\_\_\_\_<sup>o</sup>

25. Arrange the following numbers in order from the smallest to the greatest.

50 348 , 30 548 , 58 340 , 80 384

\_\_\_\_\_ , \_\_\_\_\_ , \_\_\_\_\_ , \_\_\_\_\_  
(smallest) \_\_\_\_\_ (greatest)

26. Use the digits 4, 6, 5, 1 to form the smallest 4-digit number which is a multiple of 5.

Answer: \_\_\_\_\_

27. Shun Yi is thinking of a number. When he divides it by 9, it gives a remainder of 1. When he divides it by 7, it gives a remainder of 2. What is the number?

Answer: \_\_\_\_\_

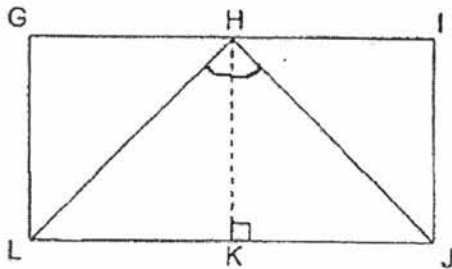
28. Lisa slept at 21 30 on Monday. She woke up at 06 00 on Tuesday. How long did she sleep? (Give your answer in hours and minutes)

Answer: \_\_\_\_\_ h \_\_\_\_\_ min

29. Terry spent 1 h 20 min doing his homework. He spent another 45 minutes practising his violin. If he finished practising his violin at 18 30 at what time did he start doing his homework? (Give your answer using the 24-hour clock)

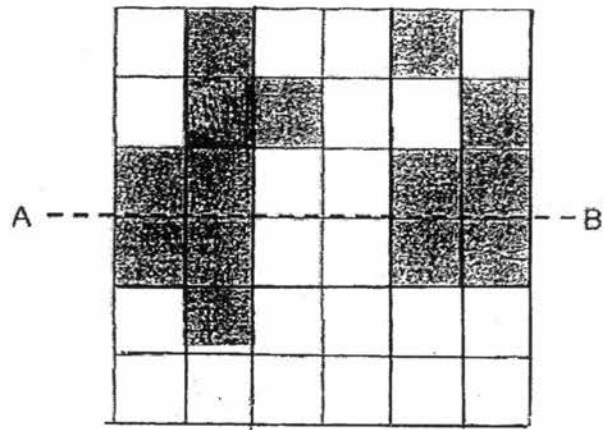
Answer: \_\_\_\_\_

30. The diagram below is not drawn to scale. GHKL and HIJK are two similar squares. Find  $\angle LHJ$ .



Answer: \_\_\_\_\_ °

31. The dotted line AB in the figure below is a line of symmetry.  
Shade the smallest number of squares to make the figure symmetric.



32. Iris flipped open a story book. The sum of the two facing page numbers is 13.  
What are the two page numbers?

Answer: \_\_\_\_\_ and \_\_\_\_\_

33. An apple pie and 5 egg tarts cost \$13. An apple pie and an egg tart cost \$5.  
What was the cost of an egg tart?

Answer: \$ \_\_\_\_\_

34. If today is Saturday, what day will it be 15 days later?

Answer: \_\_\_\_\_

35. Mdm Tam baked 294 cookies and packed them equally into 7 boxes. She sold 3 boxes of the cookies. How many cookies had she left?

Answer: \_\_\_\_\_

36. Siti's Mid-Year Examination slip was torn. Based on the results shown on the slip below, what was the largest possible difference between his Mathematics and Science marks?

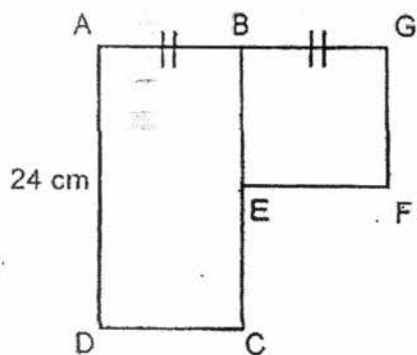
| <u>ABC PRIMARY SCHOOL</u><br><u>Mid-Year Examination Result Slip</u> |    |
|--|----|
| English  | 89 |
| Mother Tongue  | 95 |
| Mathematics  | 91 |
| Science  | 70 |

Answer: \_\_\_\_\_

37. Olivia has 60 stamps and Felicia has 115 stamps. How many stamps must Olivia give to Felicia so that Felicia has four times as many stamps as her?

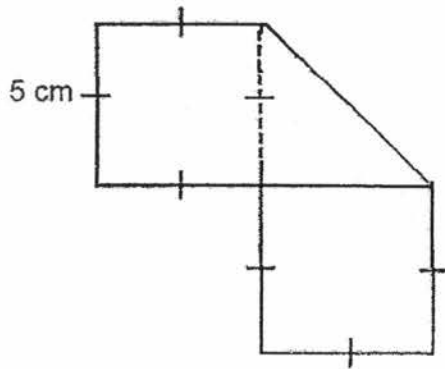
Answer: \_\_\_\_\_

38. The figure below is not drawn to scale. It shows a rectangle ABCD and a square BEFG.  $AB = BG$ ; AD is twice as long as CD. Find the length of GF.



Answer: \_\_\_\_\_ cm

39. A rectangular piece of paper was folded to form the shape shown below. What was the length of the rectangular paper before it was folded?



Answer: \_\_\_\_\_ cm

40. Bell A rings every 3 minutes. Bell B rings every 7 minutes. If the 2 bells ring together at 6.30 p.m., what will be the next time that the 2 bells will ring together again?

Answer: \_\_\_\_\_ p.m.



**Section C: Long Answer Questions (20 marks)**

Questions 41 to 45 carry 4 marks each.

Show your working clearly as marks may be awarded. Write your answer in the space provided.

41. Mr Lim paid \$1208 for a dining table. He paid \$346 more for a set of sofa.
- (a) What was the total cost of the dining table and the sofa set that Mr Lim paid?
- (b) During a sale, a dining table will cost \$240 cheaper. Mrs Aries bought 3 dining tables during the sale. How much did Mrs Aries pay altogether?

Answer : (a) \_\_\_\_\_ (2m)

(b) \_\_\_\_\_ (2m)

42. Andy, Ben and Candy collected 1372 stamps altogether. Ben collected 75 more stamps than Andy but 64 stamps fewer than Candy. How many stamps did Candy collect?

Answer: \_\_\_\_\_(4m)

43. Emily and Rachel had \$2458 altogether at first. After their mother gave \$384 to Emily and \$590 to Rachel, both girls had an equal amount of money in the end. How much did Rachel have at first?

Answer: \_\_\_\_\_(4m)

44. During a sale, a bakery gave 2 free egg tarts for every 6 egg tarts bought. Jiali received 40 egg tarts in all. How many egg tarts did she buy?



Answer: \_\_\_\_\_(4m)

45. Denise had \$1500 more than Fiona at first. After Denise gave \$1850 to her mother, Fiona had 8 times as much money as Denise. How much money did Denise have at first?

Answer: \_\_\_\_\_(4m)

- End of Booklet B -

EXAM PAPER 2017 (P4)

SCHOOL : RIVER VALLEY

SUBJECT : MATHEMATICS

TERM : SA1

ORDER CALL :

|     |     |     |     |     |     |     |     |     |     |
|-----|-----|-----|-----|-----|-----|-----|-----|-----|-----|
| Q1  | Q2  | Q3  | Q4  | Q5  | Q6  | Q7  | Q8  | Q9  | Q10 |
| 3   | 2   | 3   | 4   | 2   | 4   | 1   | 2   | 2   | 4   |
| Q11 | Q12 | Q13 | Q14 | Q15 | Q16 | Q17 | Q18 | Q19 | Q20 |
| 1   | 2   | 2   | 3   | 4   | 1   | 2   | 3   | 2   | 1   |

21)300316

22)30985

23)2 , 3 and 6

24) $42^\circ$

25)30548 , 50348 , 58340 , 80384

26)1645

27)37

28)8 h 30 min

29)1625

30) $90^\circ$

31)

32)6 and 7

33)\$2

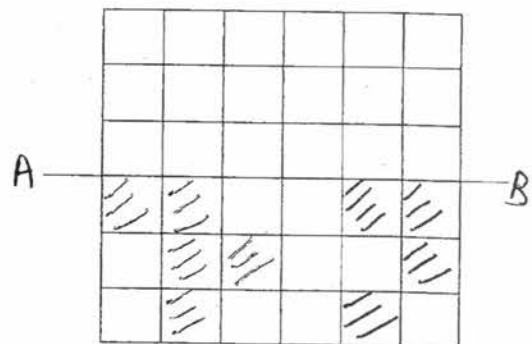
34)Sunday

35) $294 \div 7 = 42$

$42 \times 3 = 126$

$294 - 126 = 168$

36) $99 - 70 = 29$



37)  $5u = 175$

$175 \div 5 = 35$

$60 - 35 = 25$

38) 12 cm

39)  $5 \times 8 = 40\text{cm}$

40) 6.81 p.m.

41)a)  $1208 + 346 = 1554$

$1208 + 1554 = \$2762$

b)  $1208 - 240 = 968$

$968 \times 3 = \$2904$

42)  $75 \times 2 = 150$

$150 + 64 = 214$

$1372 - 214 = 1158$

$1158 \div 3 = 386$

$386 + 75 = 461$

$461 + 64 = 525$

43)  $2458 + 384 + 590 = 3432$

$3432 \div 2 = 1716$

$1716 - 590 = \$1126$

44) 6 egg tarts → 2 egg tarts free

12 egg tarts → 4 egg tarts free

18 egg tarts → 6 egg tarts free

24 egg tarts → 8 egg tarts free

30 egg tarts → 10 egg tarts free

She bought 30 egg tarts.

45)  $1850 - 1500 = 350$

$350 \div 7 = 50$

$1850 + 50 = \$1900$