

SINGAPORE CHINESE GIRLS' SCHOOL
PRIMARY 4 SCIENCE
2024 Term 2 Weighted Assessment

Term 2 WA

Name: _____ () Date: _____

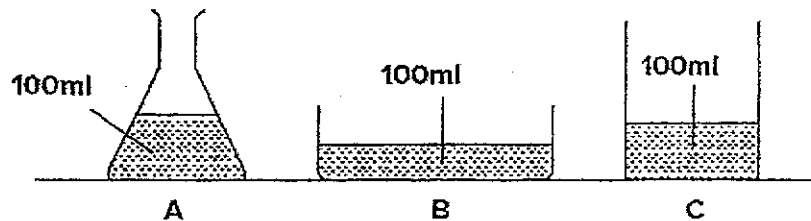
Class: Primary 4 SY/C/G/SE/P

	Marks Attained	Maximum Marks	
Section A		14	
Section B		11	
Total		25	Parent's signature

Section A (14 marks)

For each question from 1 to 7, four options are given. Choose the correct answer and write its number in the Answer Sheet on Page 6.

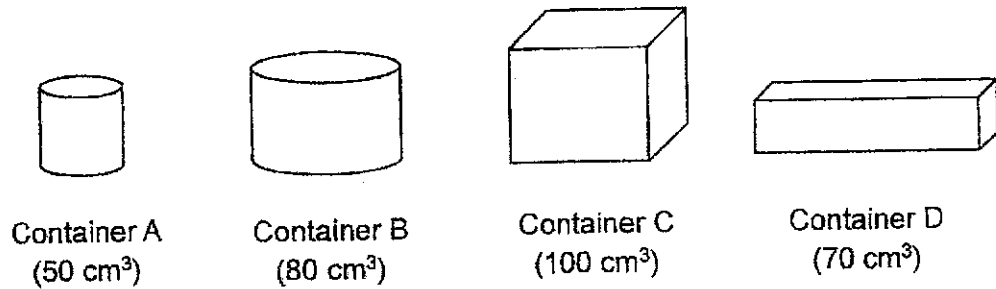
- 1 Ken poured 100ml of water into three different types of containers as shown below.



What property of water does the above experiment show?

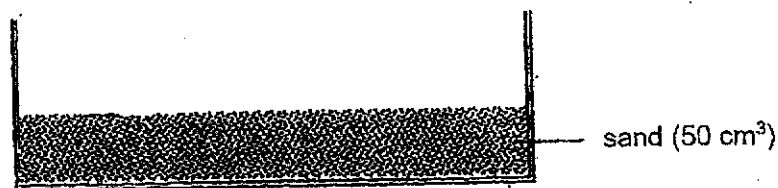
- (1) Water has mass.
- (2) Water occupies space.
- (3) Water does not have a definite shape.
- (4) Water does not have a definite volume.

- 2 June was given four containers as shown below.



Which of the containers would Aunty Jane be able to pump in 90 cm^3 of air?

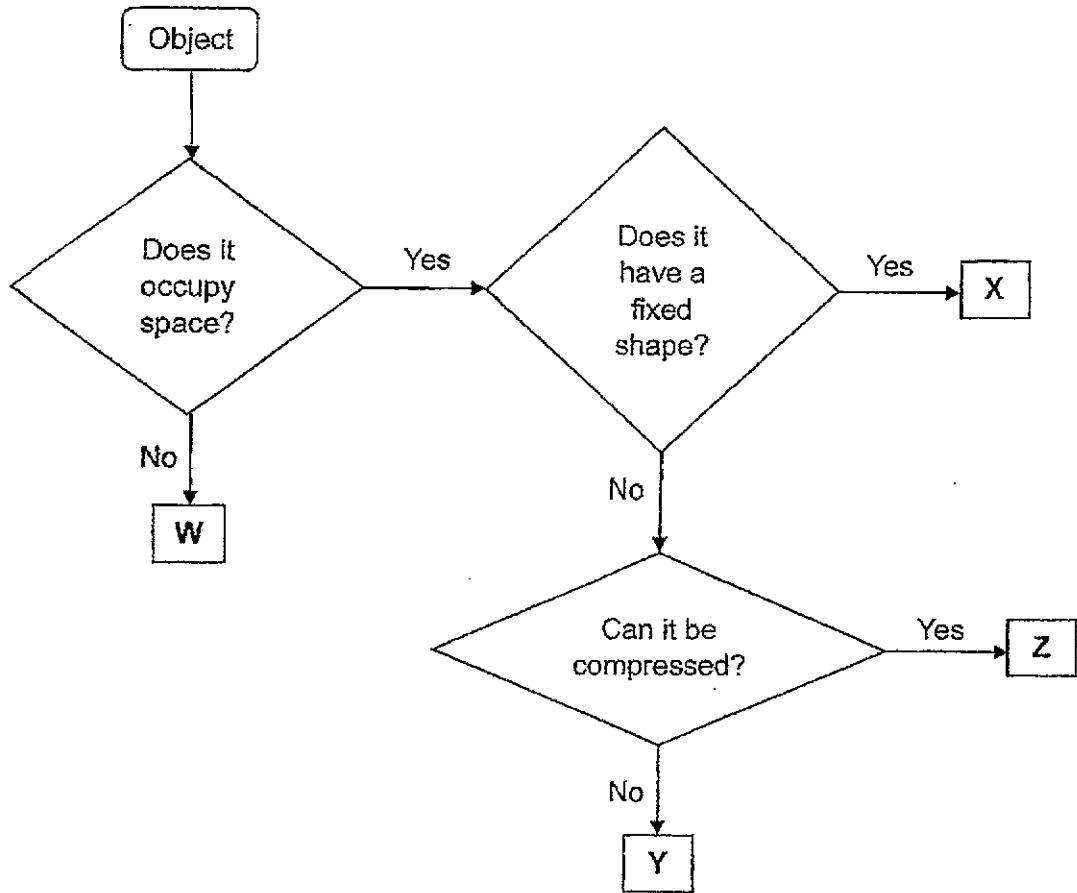
- (1) Container C only
 - (2) Containers A and D only
 - (3) Containers B and C only
 - (4) All of the containers
- 3 Joven filled a container with 50 cm^3 of sand as shown below.



Next, he poured 100 cm^3 of water into the container. What will be the most likely total volume of the water and the sand in the container?

- (1) 50 cm^3
- (2) 80 cm^3
- (3) 130 cm^3
- (4) 150 cm^3

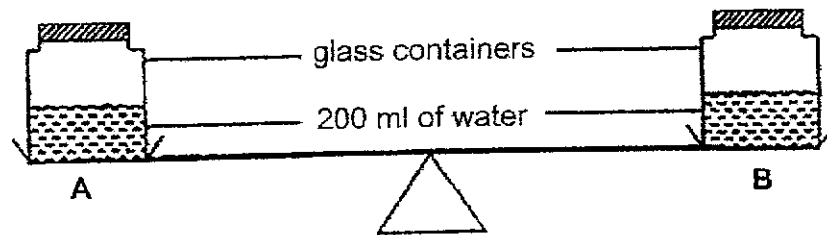
4 The table below shows the properties of objects W, X, Y and Z.



Which of the following correctly represents objects W, X, Y and Z?

	W	X	Y	Z
(1)	light	book	milk	air
(2)	air	shadow	book	light
(3)	shadow	water bottle	water	milk
(4)	air	light	water	milk

- 5 Ali balanced two identical glass containers, each containing 200 ml of water, on a beam balance as shown in the diagram below.



After Ali pumps in another 100 cm^3 of air into Container A, which of the following would happen?

- A The beam balance tilted downwards at Container A.
- B The volume of air in Container A increased.
- C The volume of air in both containers remained the same.

- (1) A only
- (2) B only
- (3) A and C only
- (4) B and C only

- 6 The diagram below shows a glass of lemonade placed on the table.



Which of the following is correct?

	Ice cubes	Lemonade	Straw
(1)	gained heat	lost heat	gained heat
(2)	gained heat	lost heat	lost heat
(3)	lost heat	gained heat	lost heat
(4)	lost heat	gained heat	gained heat

- 7 Sufian wanted to find out which type of soil green bean seeds grow best in. He prepared four pots of bean seeds, A, B, C and D, as shown below.

Set-up	Number of seeds	Type of soil	Where the pot was placed
A	5	garden soil	in sunlight
B	7	garden soil	in sunlight
C	5	sand	in sunlight
D	7	sand	in the shade

Which two pots should he use to ensure a fair test?

- (1) A and B
- (2) A and C
- (3) B and C
- (4) C and D

SINGAPORE CHINESE GIRLS' SCHOOL
PRIMARY 4 SCIENCE
2024 Term 2 Weighted Assessment

Term 2 WA

Name: _____ () Date: _____

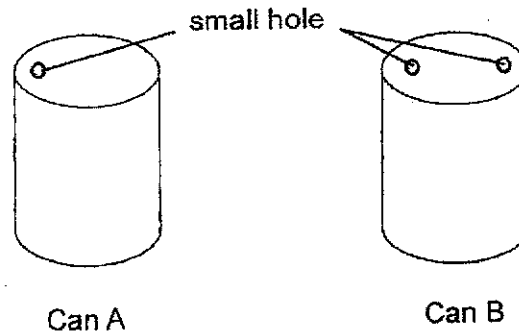
Class: Primary 4 SY/C/G/SE/P

Answer Sheet for Section A

- | | | |
|--------|--------|--------|
| 1. () | 4. () | 7. () |
| 2. () | 5. () | |
| 3. () | 6. () | |

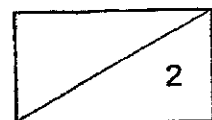
Section B (11 marks)

- 8 Helen has two cans, A and B, both filled with the same volume of milk. She made different number of holes on the top of the cans.

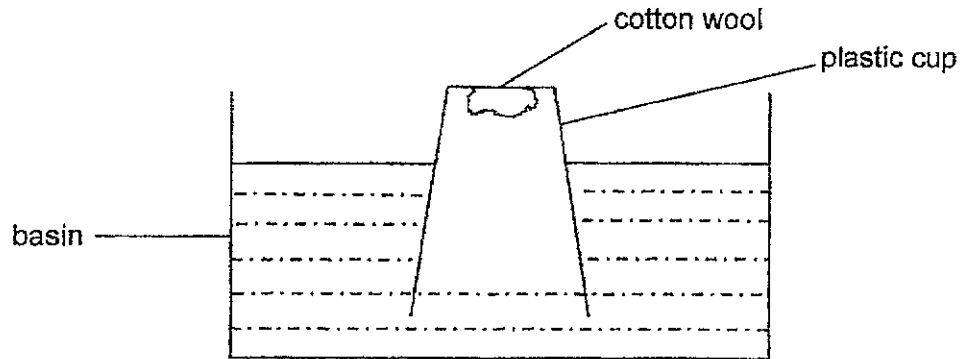


Helen wants to pour the milk out of the cans.

Which of the cans will allow the milk to flow out faster? Explain why. [2]



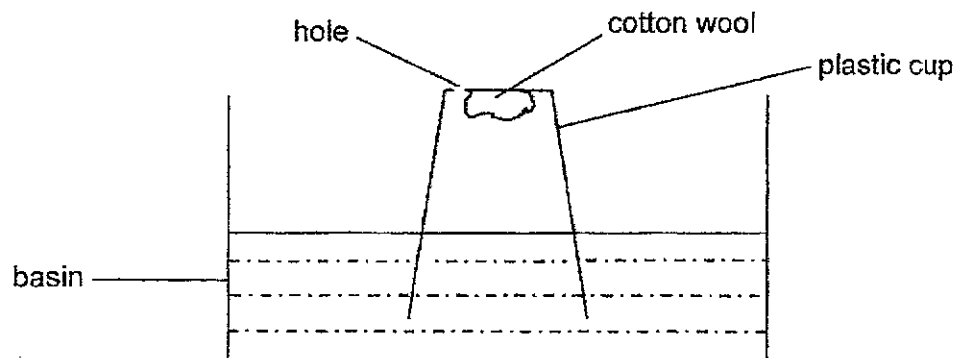
- 9 Diana set up the following experiment. She pushed the plastic cup into the basin of water. She noticed that water entered the plastic cup but the cotton wool at the bottom of the cup remained dry.



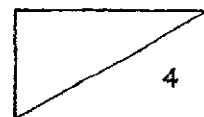
- (a) Explain why the cotton wool remained dry. [1]

- (b) Explain why some water in the basin could enter the plastic cup. [1]

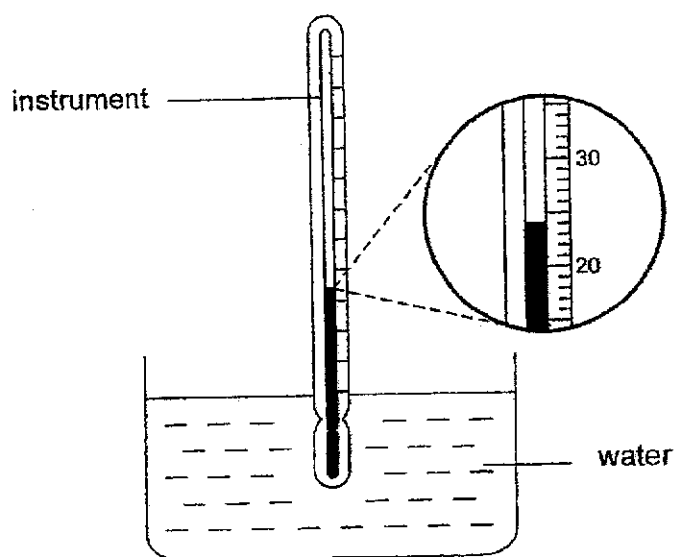
- (c) Diana then removed the plastic cup and made a hole at the bottom of the cup before pushing the cup into the basin again.



- She noticed that the water level in the cup rose. Explain why. [2]

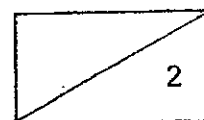


- 10 Jane used an instrument to measure the temperature of water in a glass beaker.

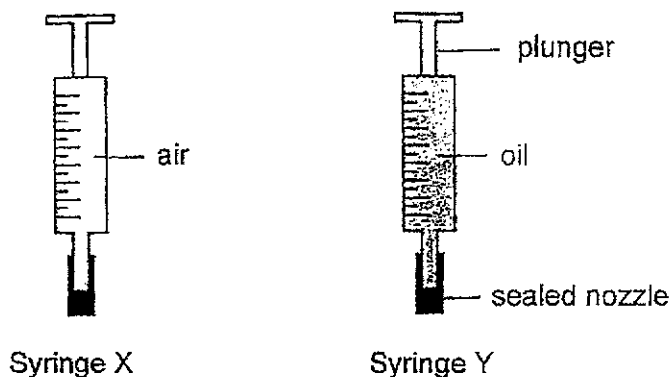


- (a) Name the instrument used. [1]

- (b) What is the temperature of the water in the glass? [1]



- 11 Johari set up an experiment as shown below.



He used two identical syringes and filled each syringe with equal amounts of air and oil. He then pushed the plunger of each syringe using the same force.

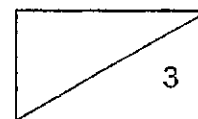
- (a) What would happen to the volumes of the substances in syringes X and Y when Johari pushed in the plungers? [1]

Syringe X: _____

Syringe Y: _____

- (b) What can Johari conclude about the two states of matter shown in his experiment? [2]

End of Paper
Check your answers



YEAR : 2024
 LEVEL : PRIMARY 4
 SCHOOL : SINGAPORE CHINESE GIRLS' SCHOOL
 SUBJECT : SCIENCE
 TERM : WA2

Q1	3	Q2	4	Q3	3	Q4	1
Q5	3	Q6	2	Q7	2		

Q8	Can B. Air enters through one of the hole and occupy space and pushes the milk out through the other hole.
Q9	a) Air in the cup occupies space b) air in the cup was compressed c) Air in the cup escaped through the hole, water in the basin enter and water took up space which was previously occupied by air.
Q10	a) Thermometer b) 24°C
Q11	a) Syringe X : The volume of air would decrease Syringe Y : The volume of oil would remain the same b) Gas can be compressed , but liquid cannot be compressed.

