

# Anglo-Chinese School (Junior)



## CONTINUAL ASSESSMENT (2019)

### PRIMARY 6

### MATHEMATICS

Monday

4 March 2019

1 h 30 min

Name: \_\_\_\_\_ ( ) Class: 6.( ) Parent's Signature: \_\_\_\_\_

#### INSTRUCTIONS TO PUPILS

- 1 Do not turn over the pages until you are told to do so.
- 2 Follow all instructions carefully.
- 3 Answer ALL questions.
- 4 You are not allowed to use a calculator for this paper.

Section	Possible Marks	Marks Obtained
A	10	
B	15	
C	25	
Total	50	

---

This question paper consists of 17 printed pages (inclusive of cover page).



## Optical Answer Sheet

- 1
- 2
- 3
- 4
- 5
- 6
- 7

### Section A

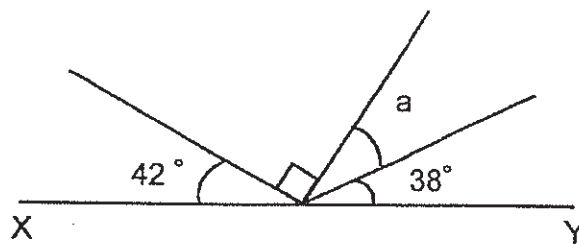
Questions 1 to 4 carry 1 mark each. Questions 5 to 7 carry 2 marks each. For each question, four options are given. One of them is the correct answer. Make your choice (1, 2, 3 or 4). Shade the correct oval (1, 2, 3 or 4) on the Optical Answer Sheet (OAS). (10 marks)

---

1. Simplify  $5a - 10 - 2a + 15$ .

- 1)  $3a - 5$
- 2)  $3a + 5$
- 3)  $7a - 5$
- 4)  $7a + 5$

2. XY is a straight line as shown in the figure. Find  $\angle a$ .



- 1)  $10^\circ$
- 2)  $20^\circ$
- 3)  $48^\circ$
- 4)  $52^\circ$

3.  $4 : 7 = 32 : \square$

What is the missing number in the box?

- 1) 42
- 2) 49
- 3) 56
- 4) 63

4. Express  $2\frac{3}{8}$  as a decimal.

- 1) 2.3
- 2) 2.38
- 3) 2.125
- 4) 2.375

5. Glenn bought a pizza. He ate  $\frac{1}{4}$  of the pizza and the remaining pizza was shared equally between his 2 friends. What fraction did each of his friend get?

- 1)  $\frac{1}{8}$
- 2)  $\frac{1}{2}$
- 3)  $\frac{3}{8}$
- 4)  $\frac{3}{4}$

6. Calvin and Susie baked some cookies in the ratio of 3 : 7. Calvin baked 60 fewer cookies than Susie. How many cookies did they bake altogether?
- 1) 45
  - 2) 105
  - 3) 150
  - 4) 200
7. Alex and ~~Brian~~ have some toy soldiers. Bryan had 30% of the toy soldiers and Alex has 84 toy soldiers. How many toy soldiers does Bryan have?
- 1) 12
  - 2) 28
  - 3) 36
  - 4) 120

**Section B1**

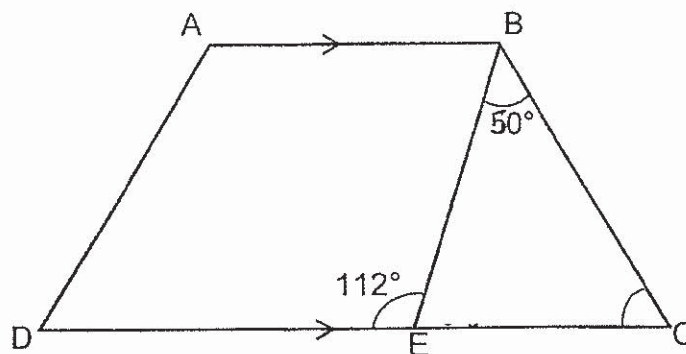
Questions 8 to 12 carry 1 mark each. Write your answers in the spaces provided. For questions which require units, give your answers in the units stated.

(5 marks)

8. What is the value of  $\frac{5n + 13}{4}$  when  $n = 11$ ?

Ans : \_\_\_\_\_

9. ABCD is a trapezium.  $\angle CBE = 50^\circ$  and  $\angle DEB = 112^\circ$ . Find  $\angle BCE$ .



Ans : \_\_\_\_\_ °

5

Sub-Total :

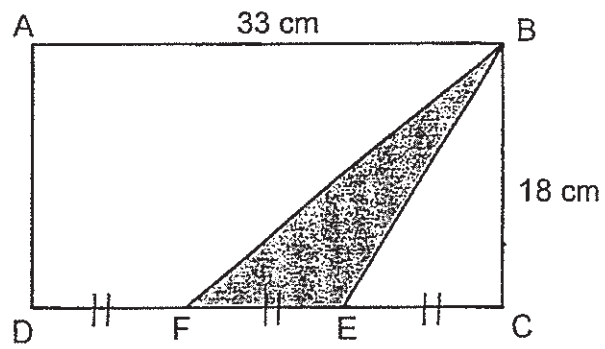
10. Sally spends  $\frac{1}{3}$  of her weekly allowance on lunch and  $\frac{3}{4}$  of the remainder on books. She has \$8 left. What is her weekly allowance?

Ans : \$ \_\_\_\_\_

11. Find the value of  $72 + 8 \times 4 - 20 \div 5$ .

Ans : \_\_\_\_\_

12. In the figure below, ABCD is a rectangle.  $DF = FE = EC$ . Find the shaded area.



Ans : \_\_\_\_\_  $\text{cm}^2$

Sub-Total :

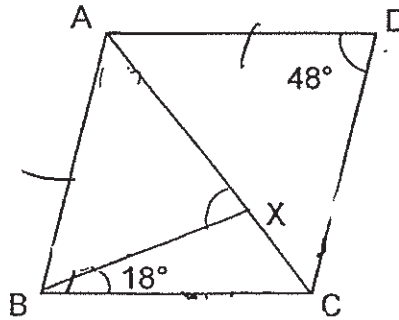


**Section B2**

Questions 13 to 17 carry 2 marks each. Show your working clearly and write your answers in the spaces provided. For questions which require units, give your answers in the units stated.

(10 marks)

13. ABCD is a rhombus.  $\angle ADC$  is  $48^\circ$  and  $\angle CBX$  is  $18^\circ$ , find  $\angle BXA$ .



Ans : \_\_\_\_\_°

14.  $\frac{2}{5}$  of Henry's mass is equal to  $\frac{3}{4}$  of Ian's mass. Express Henry's mass as a fraction of the total mass of both boys.

Ans : \_\_\_\_\_

15. Axel, Brendan and Carl saved money in the ratio of 3 : 5 : 7. The difference between the largest amount and the smallest amount is \$52. What is the amount that Brendan saved?

Ans : \$ \_\_\_\_\_

16. A factory produce 320 soft toys. 60% of them are teddy bears. 25% of the teddy bears are pink. How many pink teddy bears does the factory produce?

Ans : \_\_\_\_\_

17. Mrs Tan baked  $3w$  cupcakes in the morning. She baked  $3w + 8$  cupcakes in the afternoon. Altogether, she baked 80 cupcakes that day. How many cupcakes did she bake in the morning?

Ans : \_\_\_\_\_

### Section C

For questions **18 to 24**, show your working clearly question and write your answers in the spaces provided. The number of marks available is shown in brackets [ ] at the end of each question or part-question. (25 marks)

---

18. Tom has some \$2 and \$5 notes. He has twice as many \$2 notes as \$5 notes. He has \$504 altogether. How many \$2 notes does he have?

Ans : \_\_\_\_\_ [3]

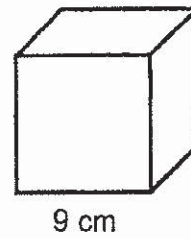
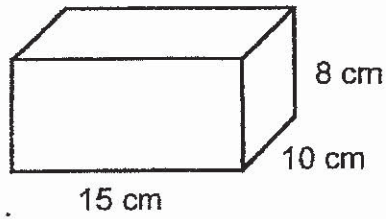
19. Calvin and Susie had some game cards at first. Calvin gave  $\frac{1}{4}$  of his cards to Susie. After that, Susie gave  $\frac{1}{5}$  of her cards to Calvin. In the end, Calvin had 45 cards and Susie had 36 cards. How many cards did Calvin have at first?

Ans : \_\_\_\_\_ [3]

12

Sub-Total :

20. A rectangular container measuring 15 cm by 10 cm by 8 cm is  $\frac{3}{4}$  filled with water. Water from the rectangular container is poured into an empty cubical container of side 9 cm until it is full without spilling. What is the volume of water left in the rectangular container?

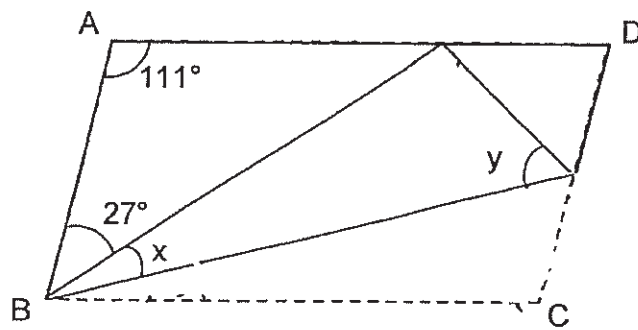


Ans : \_\_\_\_\_ [3]

21. A piece of paper in the shape of a parallelogram ABCD is folded as shown.

(a) Find  $\angle x$

(b) Find  $\angle y$



Ans : (a) \_\_\_\_\_ [2]

(b) \_\_\_\_\_ [2]

22. A fruit seller put some apples and oranges into Box A and Box B. The ratio of the number of fruits in Box A to the number of fruits in Box B is 8 : 5. The ratio of the number of apples to the number of oranges in Box A is 1 : 3.  $\frac{7}{10}$  of the fruits in Box B are apples and there are 72 oranges in Box A. Find the number of oranges in Box B.

Ans : \_\_\_\_\_ [4]



23. In a shop, rulers are sold only in packs. A pack of 6 long rulers costs \$8 and a pack of 4 short rulers cost \$3.

(a) Justin bought an equal number of short and long rulers. He spent \$126 more on the long rulers. How many long rulers did he buy?

(b) Mabel spent an equal amount of money on the long and short rulers. What fraction of the rulers she bought were short?

a) \_\_\_\_\_ [2]

b) \_\_\_\_\_ [2]

24. Samy and Tim had some money. Samy had  $\frac{4}{5}$  of what Tim had. They had lunch together at a restaurant and shared the cost of the meal. Tim paid  $\frac{5}{7}$  of the cost of the meal and had \$10 left. Samy used  $\frac{1}{3}$  of his money to pay for his share. How much did the meal cost?

Ans : \_\_\_\_\_ [4]

**End of Paper**

17

Sub-Total :



### ANSWER KEY

YEAR : 2019  
LEVEL : PRIMARY 6  
SCHOOL : Anglo- Chinese School (Junior)  
SUBJECT : Mathematics  
TYPE : Continual Assessment

#### Paper 1 (Booklet A)

Q1	Q2	Q3	Q4	Q5	Q6	Q7
1	1	3	4	2	3	3

#### Section B1

Q8. 17

Q9. 62

Q10. 48, Allowances= $[1-(1/3)-(3/4)] \times 8$

Q11. 100

Q12. 99,  $\frac{1}{2} \times 11 \times 18$

#### Section B2

Q13.  $180-96= 84$

Q14.  $15/23$

Calculation,  $(2/5)H=(3/4)I$

$$H= (15/8) I, \text{ Total mass, } (15/8)I +I= (23/8)I$$

Henry mass,  $(15/8)I / (23/8)I= 15/23$

Q15. 65

Q16.  $320 \times 0.6 \times 0.25= 48$

Q17.  $3w+3w+8=80$

$$6w=72$$

$$w=12$$

So,  $3w= 36$

#### Section C

Q18. 112

Q19. 48

Q20.  $171\text{cm}^3$

Q21.

a)  $21^\circ$

b)  $48^\circ$

Q22. 18

Q23.

- a) 216
- b)  $16/25$

Q24. 28