

--	--	--	--	--	--	--	--

Anglo-Chinese School (Junior)



PRELIMINARY EXAMINATION (2022)

PRIMARY 6 MATHEMATICS PAPER 1 Booklet A

Friday

19 August 2022

1 h

Name: _____ () Class: 6.()

INSTRUCTIONS TO PUPILS

- 1 Do not turn over the pages until you are told to do so.
- 2 Follow all instructions carefully.
- 3 Answer ALL questions.
- 4 Shade your answers in the Optical Answer Sheet (OAS) provided.
- 5 You are not allowed to use a calculator for this paper.

This question paper consists of 8 printed pages (inclusive of cover page).

Questions 1 to 10 carry 1 mark each. Questions 11 to 15 carry 2 marks each. For each question, four options are given. One of them is the correct answer. Make your choice (1, 2, 3 or 4) and shade your answer (1, 2, 3 or 4) on the Optical Answer Sheet (OAS). (20 marks)

1. Express 12 tenths as a decimal.

- 1) 0.012
- 2) 0.12
- 3) 1.2
- 4) 12.0

2. Round 51 872 to the nearest thousand.

- 1) 50 000
- 2) 51 000
- 3) 51 900
- 4) 52 000

3. Find the value of $\frac{4}{5} \div 2$.

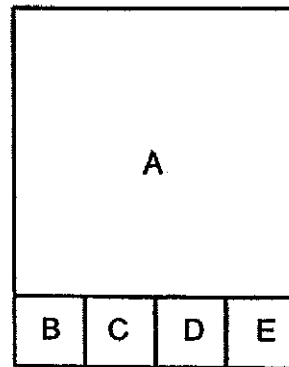
- 1) $\frac{5}{8}$
- 2) $\frac{2}{5}$
- 3) $1\frac{3}{5}$
- 4) $2\frac{1}{2}$

4. The average length of Ribbon A and B is 48 cm. The total length of Ribbon C and D is 56 cm. What is the average length of the 4 pieces of ribbon?

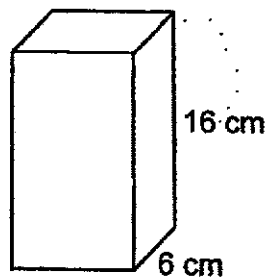
- 1) 26 cm
- 2) 38 cm
- 3) 52 cm
- 4) 76 cm

5. The figure is made up of 5 squares A, B, C, D and E. What fraction of the figure is Square D?

- 1) $\frac{1}{4}$
- 2) $\frac{1}{16}$
- 3) $\frac{1}{19}$
- 4) $\frac{1}{20}$

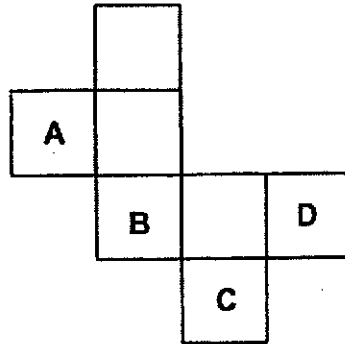


6. What is the volume of a cuboid that has a square base of side 6 cm and height 16 cm?



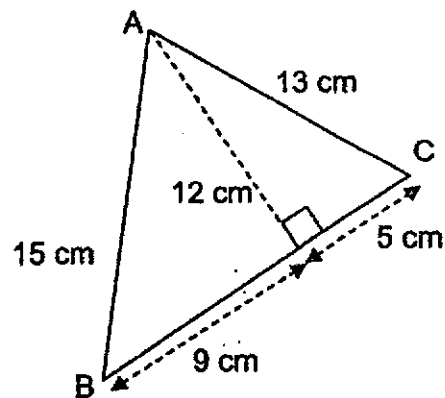
- 1) 96 cm^3
- 2) 216 cm^3
- 3) 576 cm^3
- 4) 1536 cm^3

7. Kenny wanted to fold the net below to form a cube. However, he realised that the net is incorrect. He has to remove one of the faces, A, B, C or D, from it to form the cube.



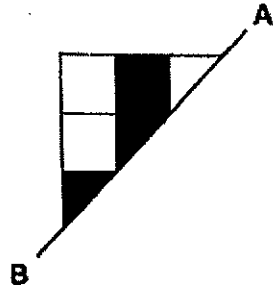
Which of the following letters representing the face that he has to remove from the net?

- 1) A
 - 2) B
 - 3) C
 - 4) D
8. Find the area of triangle ABC shown below.

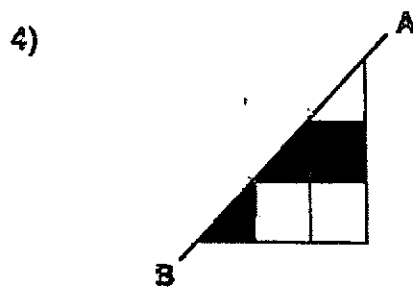
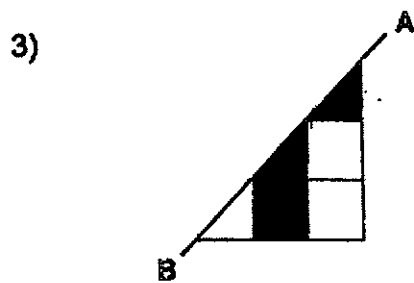
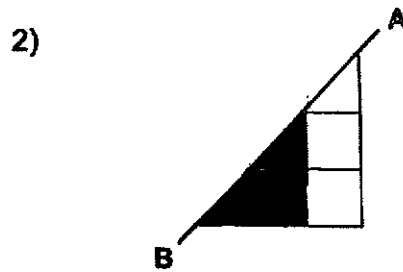
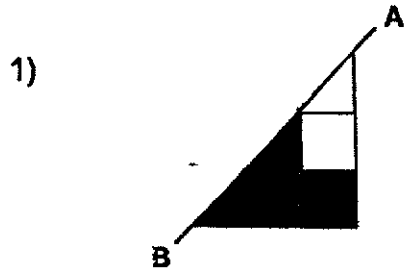


- 1) 30 cm^2
- 2) 65 cm^2
- 3) 84 cm^2
- 4) 90 cm^2

9.

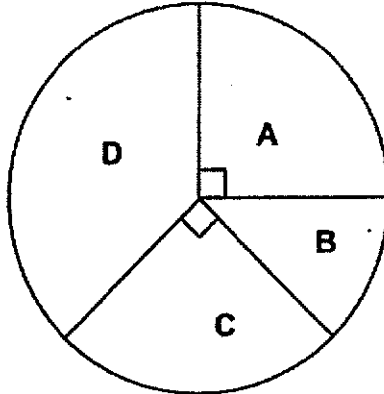


Half of a symmetric figure is shown above. AB is the line of symmetry. Which of the following completes the symmetric figure?



A5

10. The pie chart shows the number of four types of buns sold by a shop in a day.



Which of the following tables below best represents the information in the pie chart?

1)

Types of buns	Number of buns sold
A	60
B	90
C	90
D	120

2)

Types of buns	Number of buns sold
A	90
B	120
C	90
D	60

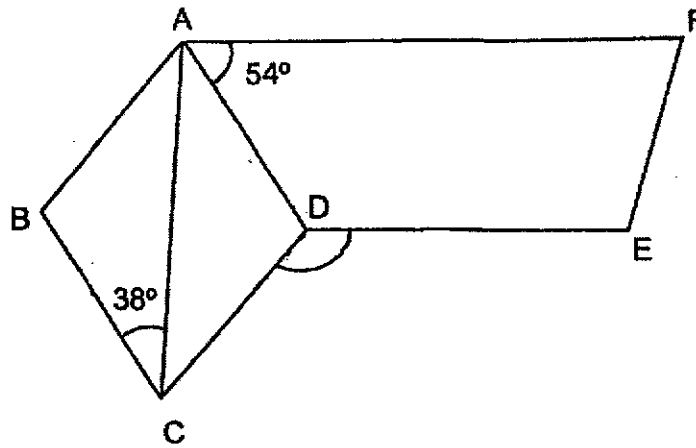
3)

Types of buns	Number of buns sold
A	80
B	40
C	80
D	70

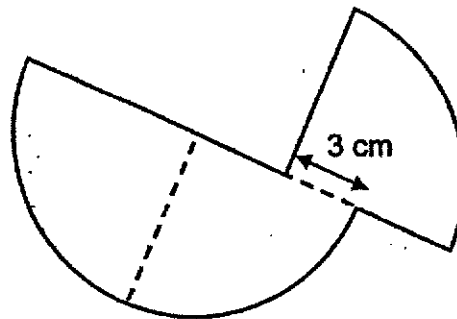
4)

Types of buns	Number of buns sold
A	80
B	40
C	80
D	120

11. In the figure below, ABCD is a rhombus and ADEF is a trapezium. AF is parallel to DE. $\angle BCA = 38^\circ$ and $\angle DAF = 54^\circ$. Find $\angle CDE$.



- 1) 92°
 - 2) 120°
 - 3) 130°
 - 4) 163°
12. The figure below is made up of three quarter circles of radius 7 cm. Find the perimeter of the figure. Take $\pi = \frac{22}{7}$.



- 1) 36 cm
- 2) 47 cm
- 3) 55 cm
- 4) 66 cm

13. Joshua used a calculator to multiply a 4-digit number by a 1-digit number. For the 1-digit number, he mistakenly pressed 2 instead of 3. He got the incorrect answer of 4296. What should the correct answer be?
- 1) 1432
 - 2) 2148
 - 3) 2864
 - 4) 6444
14. There are red, blue and yellow pens in a box. The ratio of the number of red pens to blue pens is 2 : 3. The ratio of the number of yellow pens to the total number of red and blue pens is 5 : 6. What fraction of the pens in the box are blue pens?
- 1) $\frac{3}{5}$
 - 2) $\frac{3}{11}$
 - 3) $\frac{18}{55}$
 - 4) $\frac{18}{67}$
15. A van travelled 240 km at a speed of 80 km/h. A car took $\frac{1}{2}$ h less than the van to travel the same distance. How long did the car take to cover the same distance?
- 1) $\frac{1}{3}$ h
 - 2) $2\frac{1}{2}$ h
 - 3) 3 h
 - 4) $3\frac{1}{2}$ h

End of Booklet A

--	--	--	--	--	--	--

Anglo-Chinese School (Junior)



PRELIMINARY EXAMINATION (2022)

**PRIMARY 6
MATHEMATICS
PAPER 1
Booklet B**

Friday

19 August 2022

1 h

Name: _____ () Class: 6.()

INSTRUCTIONS TO PUPILS

1. Do not turn over the pages until you are told to do so.
2. Follow all instructions carefully.
3. Answer ALL questions.
4. Use a dark blue or black ballpoint pen to write your answers in the space provided for each question.
5. Do not use correction fluid/tape or highlighter.
6. The use of calculators is **NOT** allowed.

This question paper consists of 10 printed pages (inclusive of cover page).

ACSJ

Questions 16 to 20 carry 1 mark each. Write your answers in the spaces provided. For questions which require units, give your answers to the units stated. (10 marks)

16. Find the value of $98 - 3 \times (17 - 3)$.

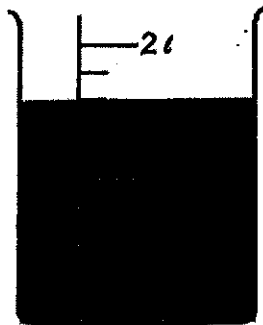
Ans : _____

17. Find the value of $70 + \frac{7}{10} + \frac{7}{1000}$.

Give your answer as a decimal.

Ans : _____

18. How much water is in the container? Give your answer in millilitres.



Ans : _____ ml

B2

Sub-Total :

Please do not write in the margin.

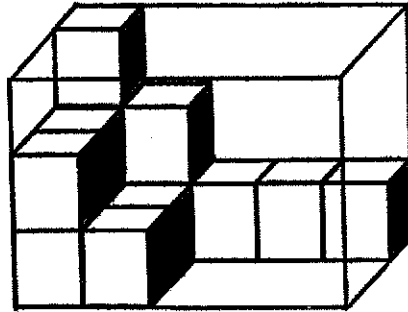
Please do not write in the margin.

ACSJ

ACSJ

ACSJ

19. The figure shows a rectangular glass box partly filled with unit cubes. When the box is completely filled with unit cubes, how many unit cubes are there altogether?

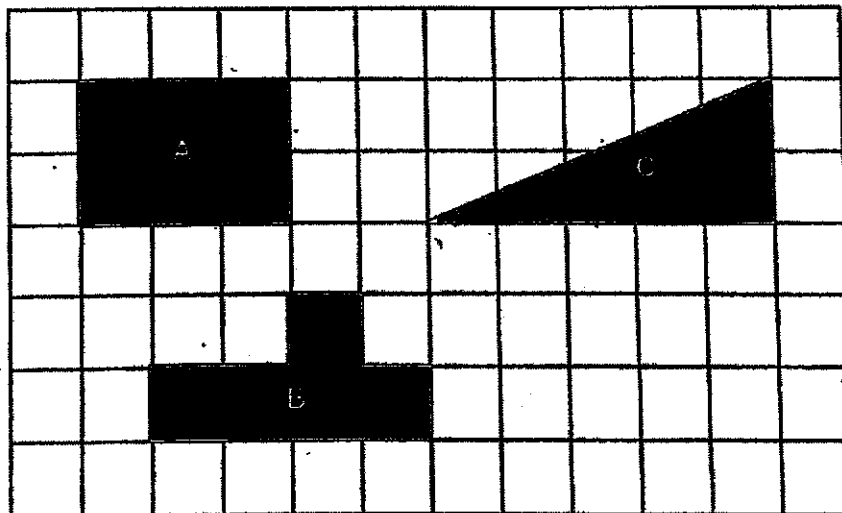


Ans : _____

Please do not write in the margin.

Please do not write in the margin.

20. There are 3 shapes A, B and C drawn in a grid. Which two shapes have the same area?



Ans : _____ and _____

B3

Sub-Total :

--

Questions 21 to 30 carry 2 marks each. Show your working clearly and write your answers in the spaces provided. For questions which requires units, give your answers in the units stated. (20 marks)

21. (a) Express $y + 11 + 7y - 9 - 3y$ in the simplest form.

Ans : (a) _____

- (b) Find the value of $3w + \frac{w}{5}$ when $w = 8$.

Ans : (b) _____

22. Jamie paid \$63 for a bag and 2 pencil cases. The price of a pencil case was $\frac{2}{5}$ the price of the bag. How much did Jamie pay for the bag?

Ans : \$ _____

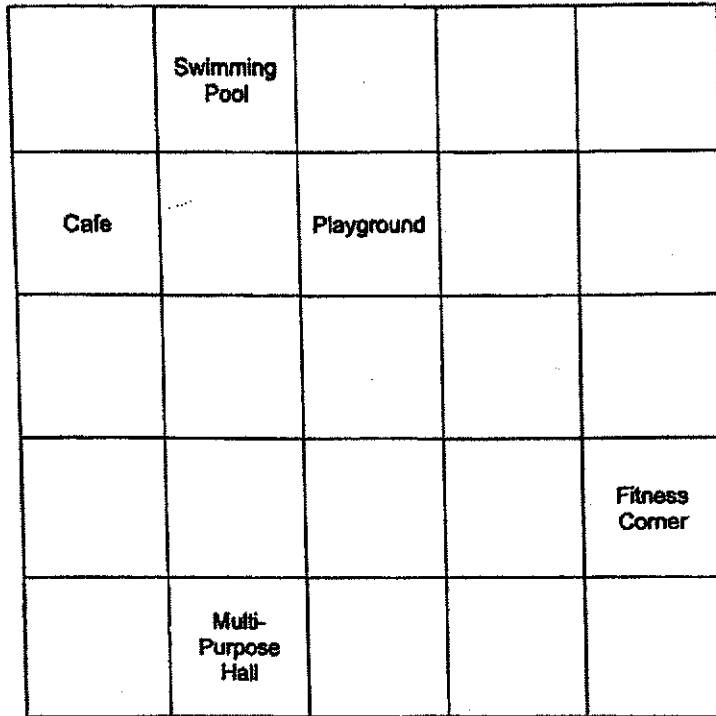
Please do not write in the margin.

Please do not write in the margin.

ACSI

ACSI

23. The square grid below shows the plan of the amenities in a condominium.



Please do not write in the margin.

Please do not write in the margin.

(a) In what direction is the fitness corner from the playground?

Ans : (a) _____

(b) The management committee wants to place a chess table in the condominium. The location of the chess table is to be south of the cafe and north-west of the multi-purpose hall. Put a tick (✓) in the square where the chess table will be placed.

--

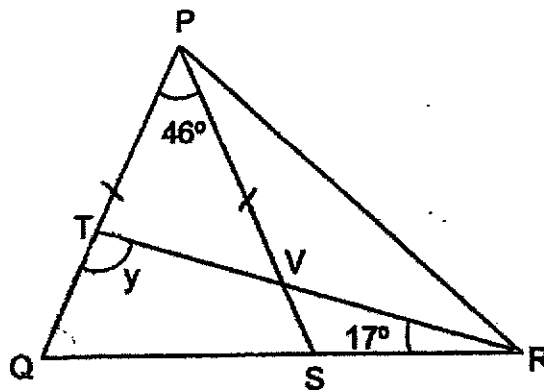
ACSJ

24. A rectangular tank, 6 cm long and 5 cm wide, is $\frac{4}{5}$ filled with water. It contains 600 ml of water. Find the height of the tank.



Ans : _____ cm

25. In the figure, PQS is an isosceles triangle. PVS, QSR and TVR are straight lines and $PQ = PS$. $\angle QPS = 46^\circ$ and $\angle TRQ = 17^\circ$. Find $\angle y$.



Ans : _____ °

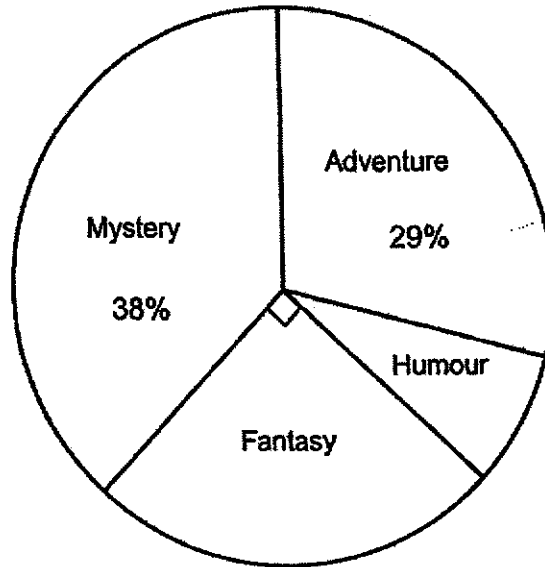
Please do not write in the margin.

Please do not write in the margin.

ACSJ

ACSI

26. Books in a school library are grouped according to the following four types: Humour, Fantasy, Adventure and Mystery. The pie chart represents the number of books of each type in the school library.



There are 150 more books of the Mystery type than books of the Humour type in the school library. How many books of the Adventure type are there?

Please do not write in the margin.

Please do not write in the margin.

Ans : _____

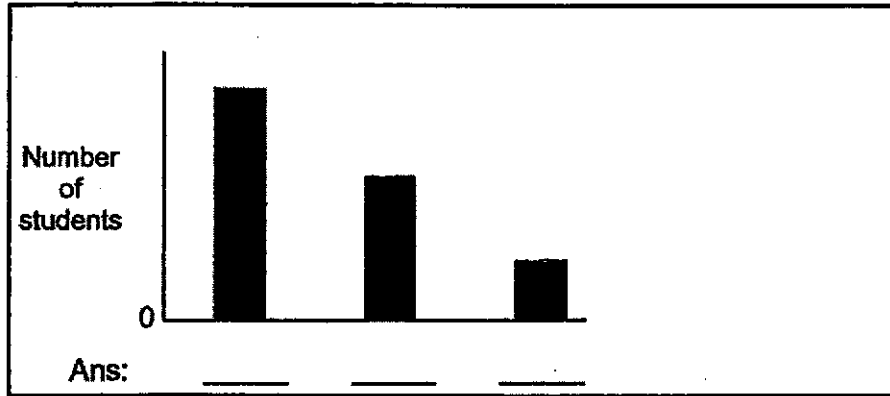
B7

Sub-Total :

ACSJ

27. Students joined only one co-curricular activity (CCA) in school – art club, rugby or swimming. $\frac{1}{3}$ of them joined swimming. The number of students who joined art club was $\frac{1}{4}$ of the number who joined rugby.

The bar graph represents the number of students who joined each CCA. Label the bar graph by writing R for rugby, A for art club and S for swimming in the blanks below.



Please do not write in the margin.

Please do not write in the margin.

ACSJ

AC-53

30. Jonathan was given a fixed amount of pocket money each month. In July, he spent \$80 and saved the rest. In August, he spent 10% less and his savings increased by 20%. How much was Jonathan's pocket money for each month?

Please do not write in the margin.

Ans : \$ _____

Please do not write in the margin.

A
C
S
J**End of Booklet B**

B10

Sub-Total :

--	--	--	--	--	--	--

Anglo-Chinese School (Junior)



PRELIMINARY EXAMINATION (2022)

PRIMARY 6 MATHEMATICS PAPER 2

Friday

19 August 2022

1 h 30 min

Name: _____ () Class: 6.()

Parent's Signature: _____

INSTRUCTIONS TO PUPILS

1. Do not turn over the pages until you are told to do so.
2. Follow all instructions carefully.
3. Answer ALL questions.
4. Use a dark blue or black ballpoint pen to write your answers in the space provided for each question.
5. Do not use correction fluid/tape or highlighter.
6. The use of an approved calculator is allowed.

Paper	Booklet	Possible Marks	Marks Obtained
1	A	20	
	B	25	
2		55	
Total		100	

This question paper consists of 17 printed pages (inclusive of cover page).

Questions 1 to 5 carry 2 marks each. Show your working clearly and write your answers in the spaces provided. For questions which require units, give your answers in the units stated. (10 marks)

Please do not write in the margin.

Please do not write in the margin.

- The ratio of the number of curry puffs to the number of tuna puffs in a pastry shop was 7 : 4 at first. After 26 curry puffs were sold, the ratio of the number of curry puffs to the number of tuna puffs became 3 : 2. What was the total number of curry puffs and tuna puffs in the pastry shop at first?

Ans : _____

- Figure P is a rectangular strip of paper. Xander cut out exactly 7 identical squares from the whole strip of paper and formed Figure Q as shown below. The perimeter of Figure Q is 210 cm. Find the perimeter of the strip of paper.



Figure P

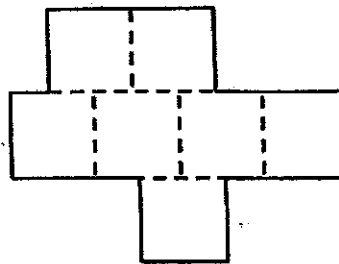


Figure Q

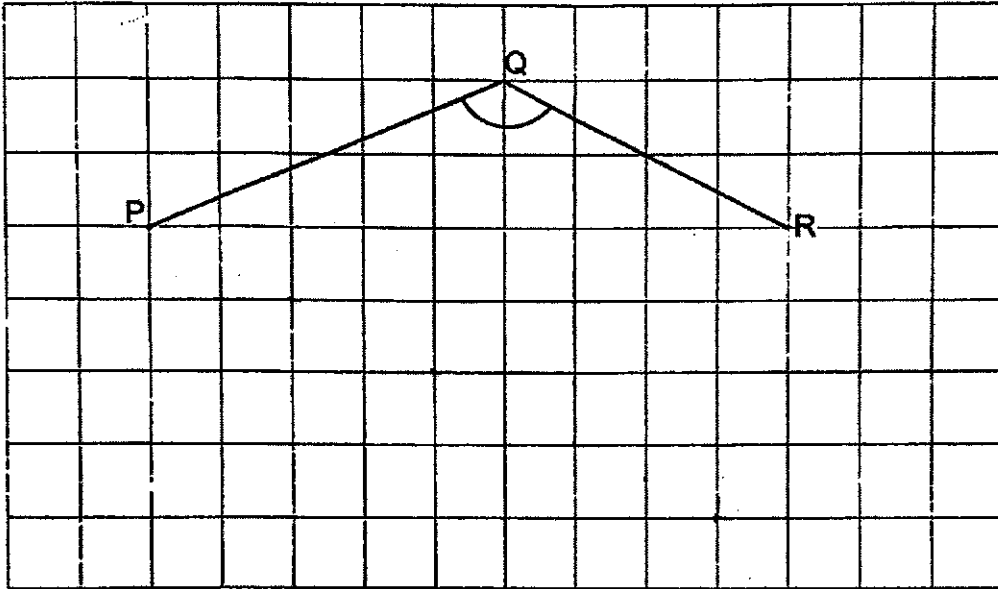
Ans : _____ cm

ACSJ

ACSJ

3. In the square grid below, PQ and QR are straight lines.
- (a) Measure and write down the size of $\angle PQR$.
 - (b) PQ and QR are two sides of a trapezium PQRS in which QR is parallel to PS and PS is twice the length of QR. Complete the trapezium PQRS by drawing the other two sides in the square grid below.

Please do not write in the margin.



Please do not write in the margin.

Ans : (a) _____ °

ACSJ

ACSJ

4. Miss Koh had a bag of flour. She used an equal amount of flour each day to bake bread. At the end of 8th day, $\frac{2}{5}$ of the flour was left. At the end of 10th day, the amount of flour left was 1.2 kg. How many kilograms of flour did Miss Koh have at first?

Ans : _____ kg

5. A player has to play a total of four games in Round 1 of a competition. The scores for Ahmad's first three games are shown below.

Round 1				
Game	1 st	2 nd	3 rd	4 th
Score	31	26	28	?

Ahmad will qualify for Round 2 if his average score for three of the four games is 32 or more. What is the lowest score Ahmad must get in the 4th game to qualify for Round 2?

Ans : _____

Please do not write in the margin.

Please do not write in the margin.

For questions 6 to 17, show your working clearly and write your answers in the spaces provided. The number of marks available is shown in brackets [] at the end of each question or part-question. (45 marks)

6. Gerald, Leon and Ali went for a jog. Gerald ran y km. Leon ran 3 km more than Gerald. Ali ran twice as far as Leon.

(a) Express the total distance the three boys ran in terms of y .

Ans : (a) _____

(b) The three boys ran a total of 53 km. Find the value of y .

Ans : (b) _____ [2]

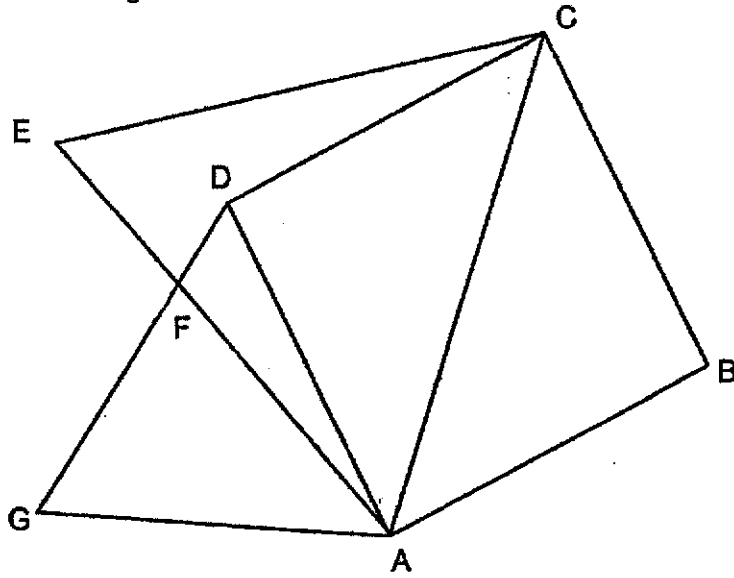
Please do not write in the margin.

Please do not write in the margin.

ACSI

ACSI

7. In the figure, not drawn to scale, ABCD is a square. ACE and DGA are equilateral triangles. Find $\angle EFG$.



Please do not write in the margin.

Please do not write in the margin.

Ans : _____ [3]

ACSJ

ACSJ

8. Four children played a game during recess. They had to throw as many balls into a basket within a given time. 3 points were awarded for throwing each ball into the basket and 1 point was deducted for each ball missed. The table shows the number of balls thrown into the basket and missed by three of the students.

Student	Number of balls	
	Thrown into basket	Missed
A	30	8
B	29	4
C	32	16

- (a) Which of the three students scored the most number of points? What was the student's points?

Ans : (a) student : _____

Points: _____ [1]

- (b) Student D threw the same number of balls as Student A but obtained 16 points more. How many balls did student D toss into the basket?

Ans : (b) _____ [2]

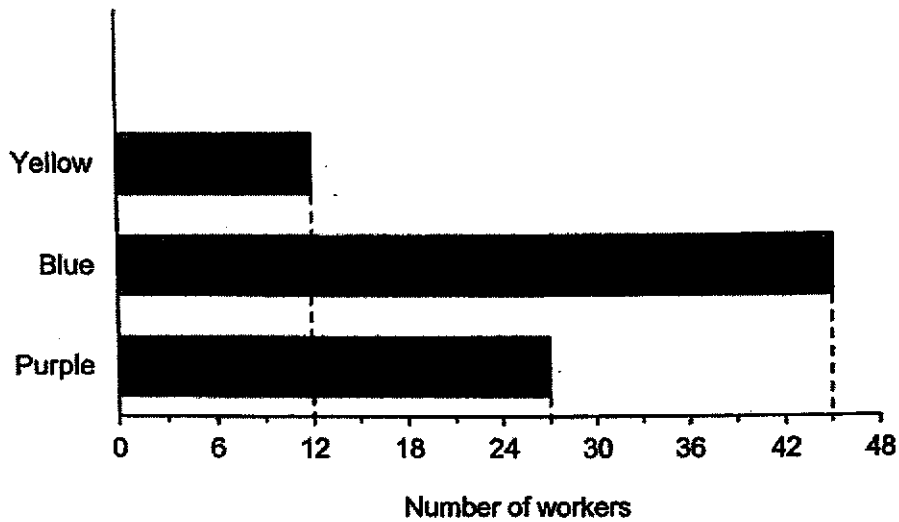
Please do not write in the margin.

Please do not write in the margin.

ACSI

ACSI

9. Mr Fam wanted to buy T-shirts for his workers. He asked them to choose one colour from yellow, blue and purple for the T-shirt. The results are shown in the graph below.



Please do not write in the margin.

Please do not write in the margin.

- (a) How many workers were there altogether?

Ans : _____ [1]

- (b) Mr Fam paid a total of \$384 for the T-shirts. The ^{prices}costs of Yellow, Blue and Purple T-shirts were in the ratio of 2 : 1 : 1. How much did Mr Fam pay for all the Purple T-shirts?

Ans : _____ [2]

ACSJ

10. Ron and Harry started running in opposite directions on a running trail. Ron ran at a speed of 110 m/min. At the end of 15 minutes, they were 3525 m apart. Find Harry's running speed in m/min.

Please do not write in the margin.

Please do not write in the margin.

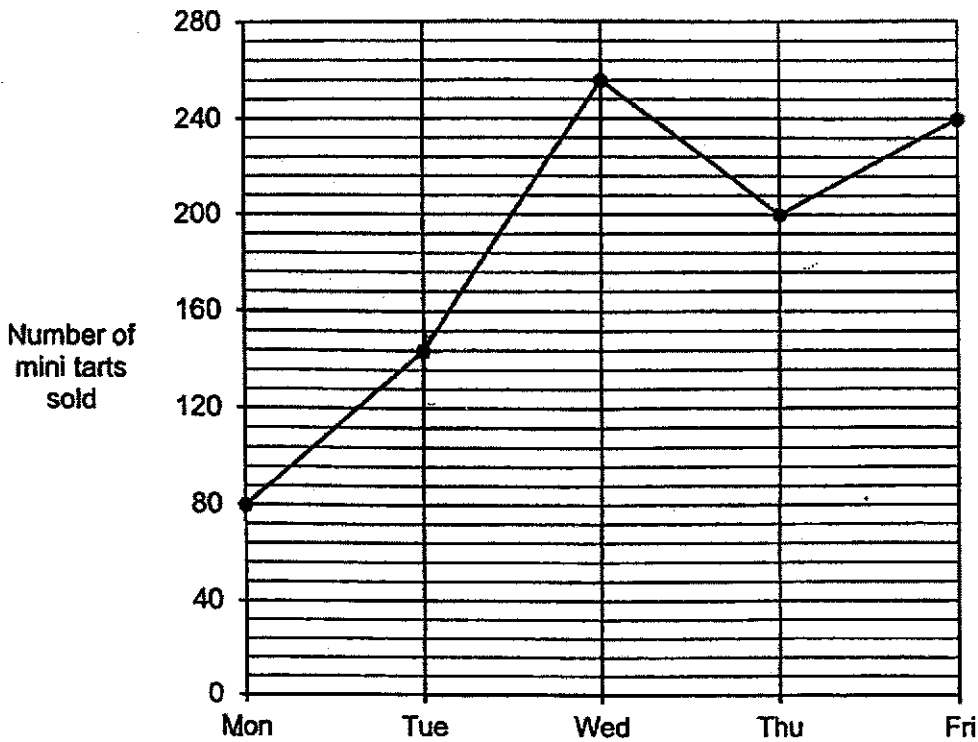
ACSJ

Ans : _____ [3]

ACSJ

ACSJ

11. The graph below shows the number of mini tarts sold from Monday to Friday.



Please do not write in the margin.

Please do not write in the margin.

- (a) What was the average number of mini tarts sold from Monday to Friday?

Ans: (a) _____ [2]

- (b) The average number of mini tarts sold on Saturday and Sunday was 26 more than the average number of mini tarts sold from Monday to Friday.

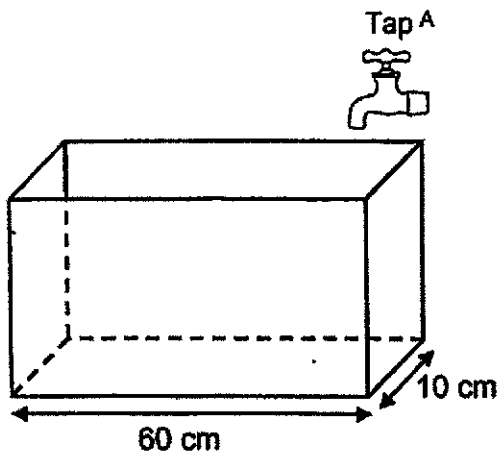
Write down one possible set of values for the number of mini tarts sold on Saturday and Sunday.

Ans: (b) _____ , _____ [2]

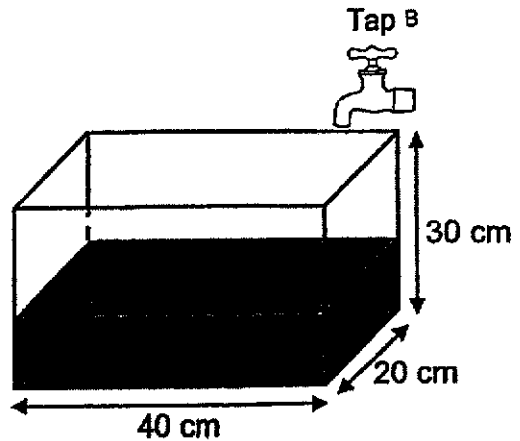
ACSI

ACSI

12. Two rectangular tanks are shown below.



Tank A



Tank B

At first, Tank A was empty and Tank B was $\frac{1}{5}$ filled with water. Tap A and Tap B were turned on at the same time and water from both taps flowed at the same rate of 1.2 litres per minute.

Please do not write in the margin.

Please do not write in the margin.

a) What was the height of water in Tank A after 1 minute?

Ans : (a) _____ [1]

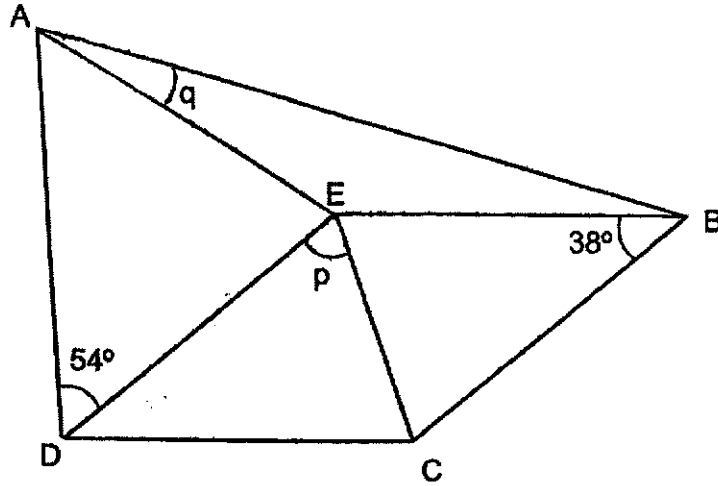
b) How long did it take for the height of the water to be the same in both Tanks?

Ans : (b) _____ [3]

ACSI

ACSI

13. In the figure below, BCDE is a rhombus and $AE = DE$. $\angle EBC = 38^\circ$ and $\angle ADE = 54^\circ$



- (a) Find $\angle p$.

Ans : (a) _____ [2]

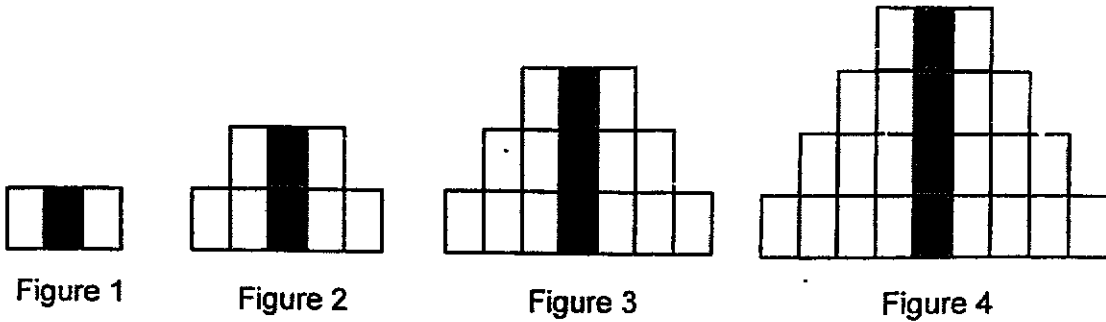
- (b) Find $\angle q$.

Ans : (b) _____ [3]

Please do not write in the margin.

Please do not write in the margin.

14. Some white and grey rectangles were used to form figures that follow a pattern. The first 4 figures are shown.



(a) The table shows the number white and grey rectangles used for each figure. Complete the table for Figure 5.

Figure Number	Number of white rectangles	Number of grey rectangles
1	2	1
2	6	2
3	12	3
4	20	4
5		

[1]

(b) What is the total number of white and grey rectangles in Figure 12?

Please do not write in the margin.

Please do not write in the margin.

Ans : (a) _____ [1]

ACSJ

ACSJ

(c) A figure in the pattern has 625 more white rectangles than grey rectangles. What is the number of white rectangles in this figure?

Please do not write in the margin.

Please do not write in the margin.

Ans: (b) _____ [2]

ACSJ

ACSJ

15. Mrs Tan had a box of green, blue and red beads. She had 248 green beads. 30% of her beads were blue. She had 24 fewer red beads than blue beads.

(a) What was the total number of beads she had in the box?

Ans : (a) _____ [2]

- (b) Mrs Tan's son bought her some blue beads. Her total number of beads then increased by 25%. How many blue beads did she have in the end?

Ans: (b) _____ [2]

Please do not write in the margin.

Please do not write in the margin.

ACSJ

16. James used $\frac{1}{4}$ of his money to buy 3 pencil cases and 7 key chains. The cost of each pencil case is 3 times the cost of each key chain. He bought some more key chains with $\frac{5}{6}$ of his remaining money. He spent \$30.40 more on all the key chains than on all the pencil cases. How much was the cost of one key chain?

Please do not write in the margin.

Please do not write in the margin.

Ans : _____ [4]

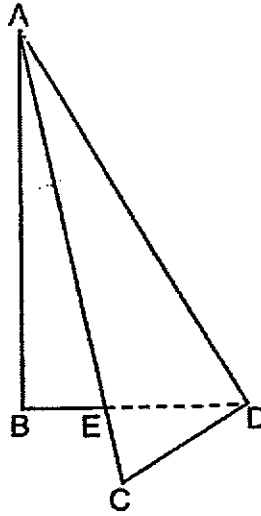
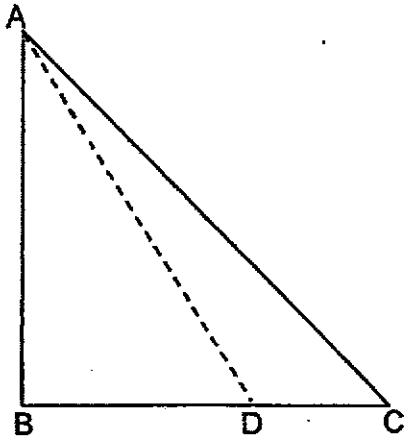
16

Sub-Total :

ACSI

ACSI

17. Triangle ABC is folded along the line AD. The area of the new figure is $\frac{7}{12}$ the area of Triangle ABC. The area of Triangle ADE is 65 cm^2 . Find the area of Triangle ABC.



Please do not write in the margin.

Please do not write in the margin.

Ans : _____ [5]

End of Paper 2

SCHOOL : ACS Junior PRIMARY SCHOOL
 LEVEL : PRIMARY 6
 SUBJECT : MATH
 TERM : Prelims (SA2) 2022

PAPER 1 BOOKLET A

Q 1	Q2	Q3	Q4	Q5	Q6	Q7	Q8	Q9	Q10
3	4	2	2	4	3	4	3	4	4

Q 11	Q12	Q13	Q14	Q15
3	3	4	3	2

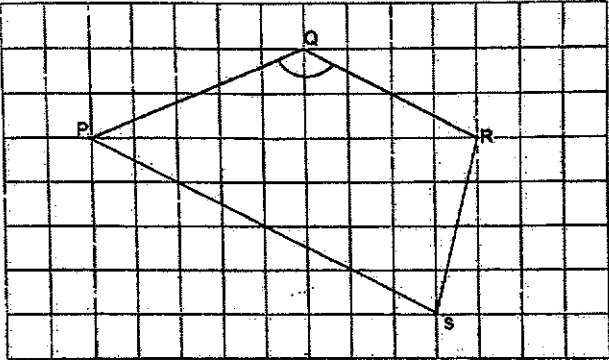
PAPER 1 BOOKLET B

Q16)	$98 - 3 \times (17-3)$ $= 98 - 3 \times 14$ $= 98 - 42$ $= 56$
Q17)	70.707
Q18)	1.6litre = 1600ml
Q19)	$3 \times 5 \times 3 = 45$
Q20)	B&C
Q21 a)	$y + 11 + 7y - 9 - 3y$ $= 5y + 2$
Q21 b)	$3 \times 8 + \frac{8}{5}$ $= 24 + \frac{8}{5}$ $= 25 + \frac{3}{5}$ $= 25\frac{3}{5}$
Q22)	$\frac{63}{9} = 7$

	$7 \times 5 = 35$
Q23)	South-East
Q23 b)	
Q24)	Height of Water = $600 \div 30 = 20$ $20 \div 4 = 5$ $5 \times 5 = 25$
Q25)	$4TQS$ $(180^\circ - 46^\circ) \div 2$ $= 134 \div 2$ $= 67$ $\sphericalangle y$ $180^\circ - 67 - 17$ $= 96^\circ$
Q26)	Humour Percent $100 - 25 - 38 - 24$ $= 75 - 67$ $= 8$ Difference percent $38 - 8$ $= 30$ $30\% = 150$ $1\% = 150 \div 30 = 5$ $29\% = 5 \times 29 = 145$
Q27)	R, S, A
Q28)	$\frac{10}{100} \times 80 = 8$ $20\% = 8$ $100\% = 8 \times 5 = 40$ Total = $80 + 40 = 120$

PAPER 2

Q1)	C:T C:T 7:4 3:2 6:4 1 unit = 26 11 units = $26 \times 11 = 286$
Q2)	1 unit = $210 \div 14 = 15$ 16 units = $15 \times 16 = 240$

Q3)	<p>131°</p> 
Q4)	<p>10 units = 1.2 1 unit = $1.2 \div 10 = 0.12$ 40 units = $0.12 \times 40 = 4.8$</p>
Q5)	<p>Total needed = $32 \times 3 = 96$ Needed = $96 - 31 - 28 = 37$</p>
Q6a)	<p>Total = $4y + 9$ $(4y+9)$ km</p>
Q6b)	<p>$53\text{km} = 4y+9\text{km}$ $44\text{km} = 4y$ $Y = 44 \div 4 = 11$</p>
Q7)	<p>$\angle DAF = 60^\circ - 45^\circ = 15^\circ$ $\angle EFG = 180^\circ - 60^\circ - 15^\circ = 105^\circ$</p>
Q8a)	<p>Student: B $A = (30 \times 3) - 8 = 82$ $B = (29 \times 3) - 4 = 83$ $C = (32 \times 3) - 16 = 80$ Points: 83</p>
Q8b)	<p>$3+1 = 4$ More balls = $16 \div 4 = 4$ Tossed in = $30+4=34$</p>
Q9a)	<p>Total = $12+27+45=84$</p>
Q9b)	<p>Y:B:P:Total 2:1:1:4 1 set = $(12 \times 2) + (45 \times 1) + (27 \times 1) = 96$ No. of Sets $384 \div 96 = 4$ $4 \times 27 = \\$108$</p>

Q10)	<p>Total Speed = $3525 \div 15 = 235$</p> <p>Harry's speed = $235 - 110 = 125$</p> <p>125m/min</p>
Q11a)	<p>Average speed:</p> $\frac{80 + 144 + 256 + 200 + 240}{5}$ $= \frac{920}{5}$ $= 184$
Q11b)	<p>$184 + 26 = 210$</p> <p>$210 \times 2 = 420$</p> <p>$200 + 220 = 420$</p> <p>Ans B: 200,220</p>
Q12a)	<p>Height</p> <p>1.2litre = 1200ml</p> <p>$1200 \div 600 = 2$</p> <p>Ans: 2cm</p>
Q12B	<p>Tank B Height / min = $1200 \div 800 = 1.5$</p> <p>Tank D Height at first = $\frac{1}{5} \times 30 = 6$</p> <p>Answer: 12min</p>
Q13a	$\angle P = (180^\circ - 38^\circ) \div 2 = 71^\circ$
Q13b	<p>$\angle AED = 180^\circ - 54^\circ - 54^\circ = 72^\circ$</p> <p>$\angle AEB = 360^\circ - 72^\circ - 71^\circ - 71^\circ = 146^\circ$</p> <p>$\angle Q = (180^\circ - 146^\circ) \div 2 = 17^\circ$</p>
Q14a	Figure number 5 = 30 & 5
Q14b	<p>$(\text{Figure number} + 1)^2 - 1 = \text{Total of figure number rectangles}$</p> <p>$(12+1) \times (12+1) - 1 = 168$</p>
Q14C	<p>Figure number</p> <p>$2\sqrt{624} = 25$</p> <p>White Triangle</p> <p>$25 \times (25+1) = 650$</p>
Q15a	<p>$40\% = 248 - 24 = 224$</p> <p>$10\% = 224 \div 4 = 56$</p> <p>$100\% = 56 \times 10 = 260$</p>
Q15B	<p>Son bought = $\frac{25}{100} \times 560$</p> <p>= 140</p> <p>In the end = $(56 \times 3) + 140 = 308$</p>
Q16	<p>3 Pencil Cases = 9 Key Chains</p> <p>2 units = $9 + 7 = 16$</p> <p>1 unit = $16 \div 2 = 8$</p>

	<p>7 units = $8 \times 7 = 56$</p> <p>Keychain = $56 - 9 = 47$</p> <p>More $47 - 9 = 38$</p> <p>38 keychains = \$30.40</p> <p>1 Keychain = \$0.80</p>
17	<p>$1 - \frac{7}{2} = \frac{5}{12}$</p> <p>$65\text{cm}^2 = \frac{5}{12}$</p> <p>$\frac{1}{12} = 65 \div 5 = 13$</p> <p>Total Area = $13 \times 12 = 156\text{cm}^2$</p>

