



PEI HWA PRESBYTERIAN PRIMARY SCHOOL  
MINI TEST 2  
PRIMARY 4  
MATHEMATICS

Name: \_\_\_\_\_ ( )

Class: 4 Teamwork ( ) / 4M ( )

Date : 22 August 2017

Parent's Signature

Total time: 1 hour

**INSTRUCTIONS TO CANDIDATES**

1. Write your Name, Class and Register No. in the spaces provided above.
2. DO NOT turn over this page until you are told to do so.
3. Follow all instructions carefully.
4. Answer all questions.
5. Write all your answers in this booklet.

Marks (Section A)	12
Marks (Section B)	12
Marks (Section C)	6
Total Marks (Section A & B & C)	30

**Section A: Multiple Choice Questions (12 x 1 = 12 marks)**

**For each question, four options are given. One of them is the correct answer.**

**Make your choice (1, 2, 3 or 4). Shade the oval (1, 2, 3 or 4) on the Optical Answer Sheet.**

---

1 Express  $\frac{11}{20}$  as a decimal.

- (1) 0.11
- (2) 0.44
- (3) 0.55
- (4) 1.10

2 Arrange the following decimals in decreasing order.

11.081, 11.101, 11.011, 11.108

- (1) 11.011, 11.108, 11.081, 11.101
- (2) 11.011, 11.081, 11.101, 11.108
- (3) 11.108, 11.011, 11.101, 11.081
- (4) 11.108, 11.101, 11.081, 11.011

3 Find the sum of 5.76 and 31.99

- (1) 36.65
- (2) 36.75
- (3) 37.75
- (4) 38.65

4 13 thousandths + 5 thousandths + 2 thousandths = \_\_\_\_\_ hundredths

(1) 20

(2) 2

(3) 0.2

(4) 0

5 Find the difference between 10.42 and 3.83

(1) 6.59

(2) 6.69

(3) 7.41

(4) 7.69

6 Convert 0.375 to a fraction.

(1)  $\frac{3}{8}$

(2)  $\frac{3}{20}$

(3)  $\frac{3}{25}$

(4)  $\frac{3}{50}$

- 7 Cynthia had \$50 at first.  
After buying a present, she had \$24.95 left.  
How much did the present cost?
- (1) \$24.15
  - (2) \$25.05
  - (3) \$26.05
  - (4) \$74.95
- 8 Dinesh had \$12.60.  
Eng Hwee had 6 times as much money as Dinesh.  
How much money did Eng Hwee have?
- (1) \$1.80
  - (2) \$2.10
  - (3) \$75.60
  - (4) \$88.20
- 9 Frank distributed \$683.40 equally among his three children.  
How much did each child receive?
- (1) \$170.85
  - (2) \$227.80
  - (3) \$2 050.20
  - (4) \$2 733.60

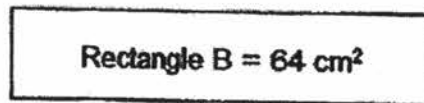
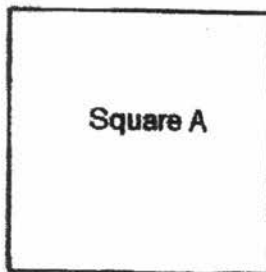
- 10 The area of a rectangular field is  $144 \text{ m}^2$ .  
Its length is 8 m.  
Find the breadth of the field.

- (1) 9 m
- (2) 12 m
- (3) 18 m
- (4) 64 m

- 11 The perimeter of a square cardboard is 100 cm.  
Find the length of the cardboard.

- (1) 10 cm
- (2) 25 cm
- (3) 40 cm
- (4) 50 cm

- 12 Square A and Rectangle B have the same area.  
The area of Rectangle B is  $64 \text{ cm}^2$ .  
Find the length of Square A.



- (1) 4 cm
- (2) 8 cm
- (3) 16 cm
- (4) 32 cm

**Section B (12 x 1 = 12 marks)**

**Write your answers in the answer blanks provided.**

**For questions that require working, show your working clearly in the space provided.**

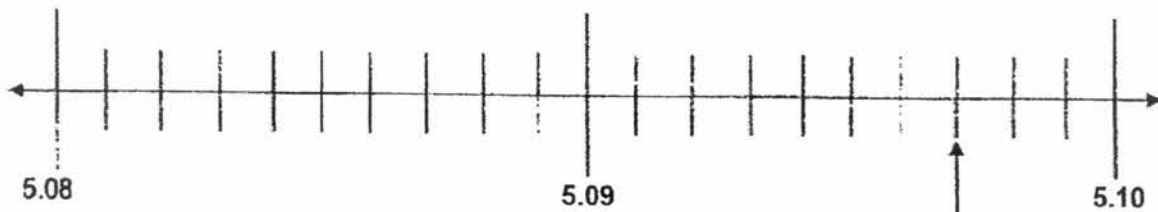
---

13 Complete the following number pattern.

0.7, 1.1, 1.5, 1.9, \_\_\_\_\_, 2.7

Ans: \_\_\_\_\_

14 Write the correct decimal in the box provided.



Ans: \_\_\_\_\_

- 15 I am a number with 3 decimal places.  
The digit 9 is in the thousandths place.  
The digit 7 is in the hundredths place.  
The digit 6 is in the tenths place.  
The ones place has a value of 4.  
Round off this number to one decimal place.

Ans: \_\_\_\_\_

- 16 The length of 2 equal pieces of ribbon is 0.32 m.  
What is the length of each ribbon?  
Leave your answer as a decimal.

Ans: \_\_\_\_\_ m

17 Find the difference between 79.56 and 99.87.

Ans: \_\_\_\_\_

18 Find the sum of 832.34 and 101.02.

Ans: \_\_\_\_\_



19



How much do 16 apples cost?

Ans: \$ \_\_\_\_\_

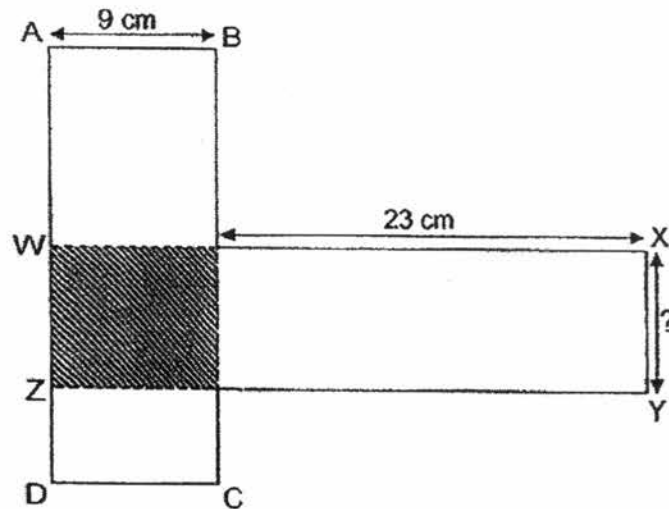
- 20 The total length of 7 pieces of rope and 7 pieces of wire is 45.92 m.  
What is the total length of 1 pieces of rope and 1 piece of wire?

Ans: \_\_\_\_\_ m

- 21 Gabriella had 13 kg of flour.  
She shared this amount of flour with her 8 friends.  
How much flour did each person receive?  
Leave your answer in 2 decimal places.

Ans. \_\_\_\_\_ kg

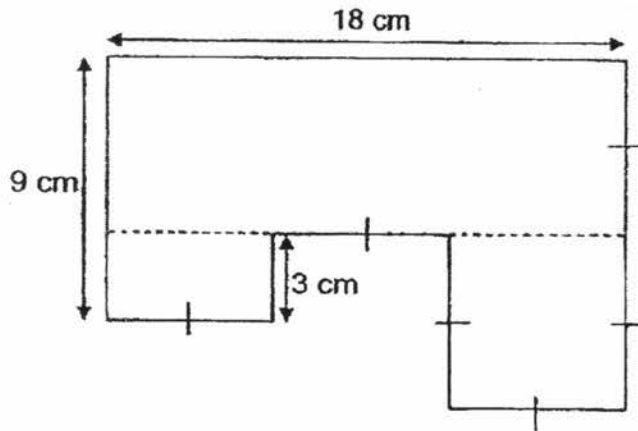
- 22 The figure below is made up of two overlapping rectangles, ABCD and WXYZ.  
The perimeter of Rectangle WXYZ is 78 cm.  
Find the breadth of Rectangle WXYZ.



Ans: \_\_\_\_\_ cm

Refer to the following figure to answer question 23 and 24.

The figure below is made up of 2 rectangles and a square.



23 Find the perimeter of the figure shown above.

Ans: \_\_\_\_\_ cm

24 Find the area of the square as shown above.

Ans: \_\_\_\_\_ cm<sup>2</sup>

**Section C (2 x 3 = 6 marks)**

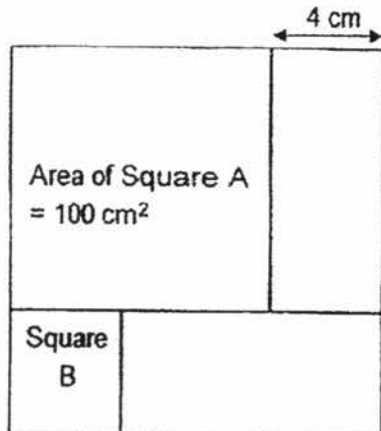
**Solve each of the following problems. Show all your working and statements clearly.**  
**Write your answers in the spaces provided.**

- 25 Mr Husain bought 3 adult tickets and 1 child ticket.  
He paid the cashier \$295.20.  
1 adult ticket cost \$78.80.  
Find the cost of 1 child ticket.

**Working**

Ans: \_\_\_\_\_ [3]

- 26 The figure below is made up of 2 different squares, A and B, and 2 identical rectangles.  
 The area of Square A is  $100 \text{ cm}^2$ .  
 Find the area of the figure.



Working

Ans: \_\_\_\_\_ [3]

\*\*\*\*\* END OF PAPER \*\*\*\*\*

PLEASE CHECK YOUR WORK.

EXAM PAPER 2017 (P4)

SCHOOL : PEI HWA

SUBJECT : MATHEMATICS

TERM : CA2

ORDER CALL :

Q1	Q2	Q3	Q4	Q5	Q6	Q7	Q8	Q9	Q10
3	4	3	2	1	1	2	3	2	3
Q11	Q12								
2	2								

13)2.3      14)5.097      15)4.7      16)0.16m      17)20.31      18)933.36

19) $8 \times 2 = 16$

25) $\$78.80 \times 3 = \$236.40$

$\$7.95 \times 2 = \$15.90$

$\$295.20 - \$236.40 = \$58.80$

$\$15.90 \div 2 = \$7.95$

20) $45.92 \div 7 = 6.65\text{m}$

26) $10 + 4 = 14$

21) $1.44 \text{ kg}$

$14 \times 14 = 196$

22)7 cm

$100 + 80 + 16 = 196\text{cm}^2$

23) $18+18+18+16 = 66 \text{ cm}$

24) $6 \times 6 = 36 \text{ cm}^2$