

**Nanyang Primary School  
Primary 5  
Mathematics  
Term 2 Weighted Assessment**

Name: \_\_\_\_\_ ( )

Marks:

Class: Primary 5 ( )

/20

Date: \_\_\_\_\_

Parent's Signature: \_\_\_\_\_

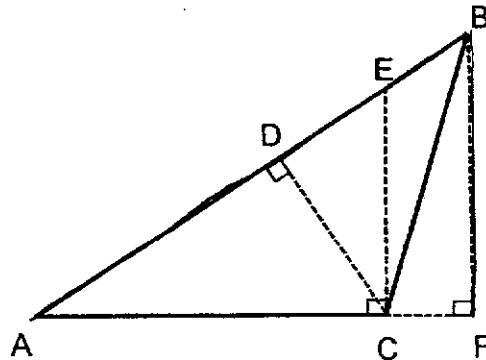
Duration: 45 minutes

**Please sign and return the paper the next day. Any queries should be raised at the same time when returning paper.**

The use of an approved calculator is expected, where appropriate.

Questions 1 to 2 carry 2 marks each. Show your working clearly and write your answers in the spaces provided. For questions which require units, give your answers in the units stated. (4 marks)

- 1 In the figure below, ABC is a triangle.

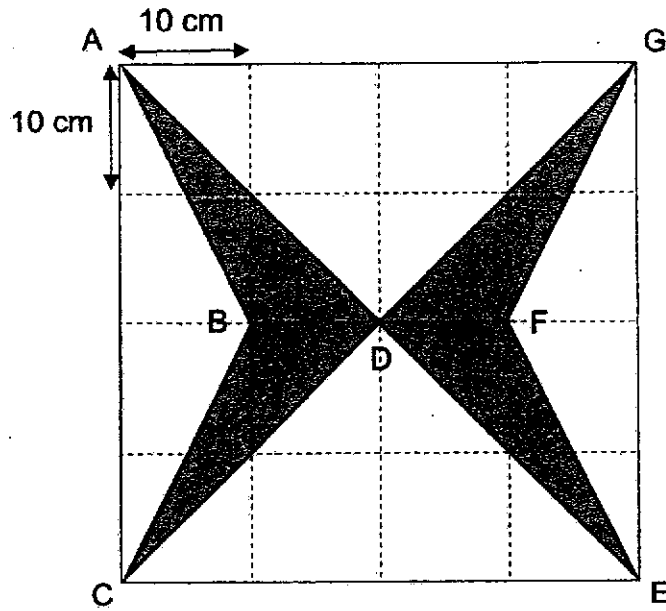


- (a) What is base of triangle ABC when the height is CD?  
 (b) What is the height of triangle ABC when the base is AC?

Ans: (a) \_\_\_\_\_ [1]

(b) \_\_\_\_\_ [1]

2 In the square grid below, AE, CG, AB, BC, FG and FE are straight lines.

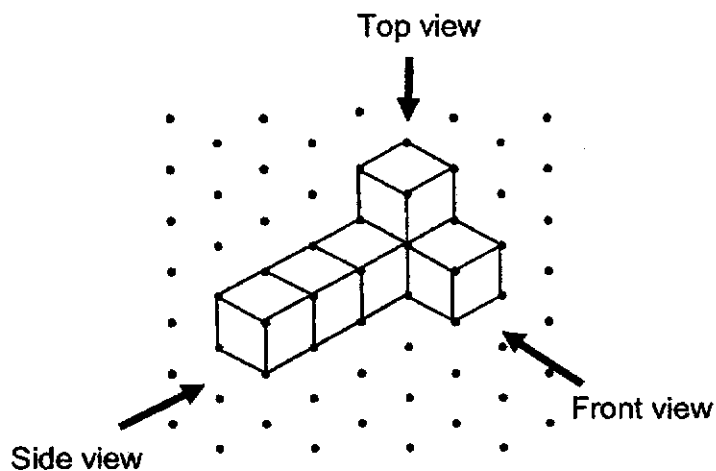


What is the total area of the shaded parts as shown in the figure?

Ans: \_\_\_\_\_ cm<sup>2</sup> [2]

For questions 3 to 6, show your working clearly and write your answers in the spaces provided. The number of marks available is shown in brackets [ ] at the end of each question or part-question. (16 marks)

- 3 The solid shown below is made up of some 1-cm cubes.

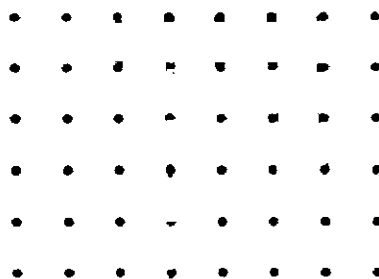


- (a) What is the volume of the solid?

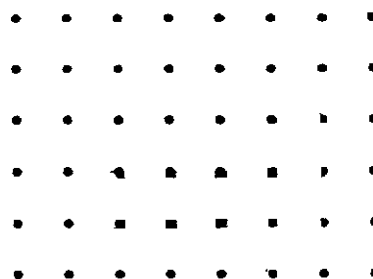
Ans: (a) \_\_\_\_\_ [1]

- (b) Draw the top view and the front view of the solid on the grids below.

Top View



Front View



[2]

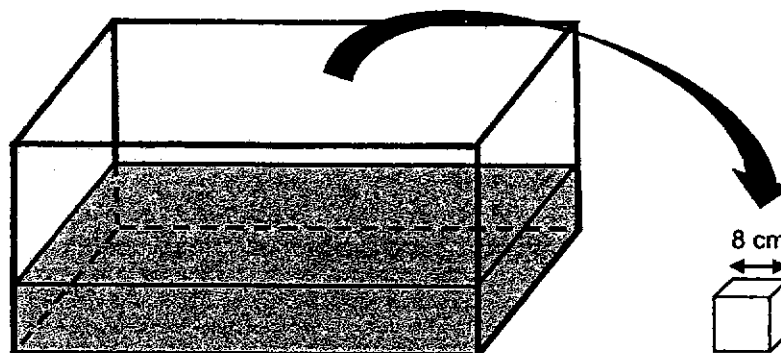
- 4 A farmer harvested 123.29 kg of groundnuts in the morning.
- (a) How many grams of groundnuts did the farmer harvest in the morning?
- (b) The farmer then harvested another 88 kg 710 g of groundnuts in the afternoon. All the groundnuts harvested by the farmer in the morning and afternoon were packed into bags of 100 g each. How many such bags of groundnuts were there?

Ans: (a) \_\_\_\_\_ [1]

(b) \_\_\_\_\_ [3]

---

- 5 A rectangular tank was  $\frac{2}{5}$  - filled with water at first. Some of the water from the rectangular tank was poured into an empty cubical container of sides 8 cm each to the brim. The rectangular tank then became  $\frac{1}{3}$  - filled with water.



- (a) What was the volume of water in the cubical container when it was filled to the brim?
- (b) What was the capacity of the rectangular tank? Give your answer in litres and millilitres.

Ans: (a) \_\_\_\_\_ [1]

(b) \_\_\_\_\_ [3]

- 6 The table shows the length of ribbon used in each month by Jisoo. The length of ribbon she used in May and June are not shown.

Month	Length of ribbon used (m)
January	129.85
February	130.2
March	132.55
April	140.35
May	
June	

- (a) In which month, from January to April, did Jisoo use the shortest length of ribbon?
- (b) What was the total length of ribbon Jisoo used in February and April?
- (c) In June, Jisoo needed 50 pieces of ribbons, each of length 2.2 m. The ribbon was sold in rolls of 10 m each. What was the least number of rolls of ribbon that Jisoo needed to buy?
- (d) Each of the statements below is either true, false or not possible to tell from the information given. For each statement, put a tick (✓) to indicate your answer.

Statement	True	False	Not Possible to Tell
Jisoo used the longest length of ribbon in May.			
Between the months of January and April, the greatest increase in the length of ribbon used was from February to March.			

[1]

- Ans: (a) \_\_\_\_\_ [1]  
 (b) \_\_\_\_\_ [1]  
 (c) \_\_\_\_\_ [2]

End of Paper

Nanyang Primary School  
Primary 5  
Mathematics  
Term 2 Weighted Assessment

Name: Answer Key ( ) Marks: /20

Class: Primary 5 ( )

Date: 11 May 2021 Parent's Signature: \_\_\_\_\_

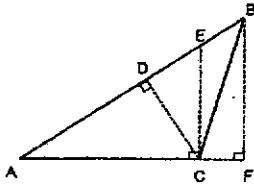
Duration: 45 minutes

Please sign and return the paper the next day. Any queries should be raised at the same time when returning paper.

The use of an approved calculator is expected, where appropriate.

Questions 1 to 2 carry 2 marks each. Show your working clearly and write your answers in the spaces provided. For questions which require units, give your answers in the units stated. (4 marks)

1 In the figure below, ABC is a triangle.



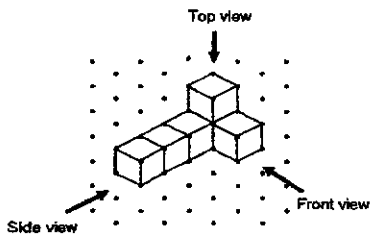
- (a) What is base of triangle ABC when the height is CD?
- (b) What is the height of triangle ABC when the base is AC?

Ans: (a) AB [1]  
(b) BF [1]

1

For questions 3 to 6, show your working clearly and write your answers in the spaces provided. The number of marks available is shown in brackets [ ] at the end of each question or part-question. (16 marks)

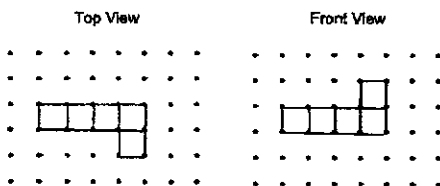
3 The solid shown below is made up of some 1-cm cubes.



- (a) What is the volume of the solid?

Ans: (a) 6 cm<sup>3</sup> [1]

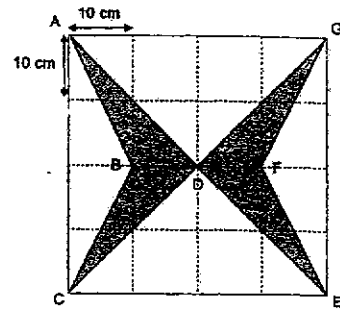
- (b) Draw the top view and the front view of the solid on the grids below.



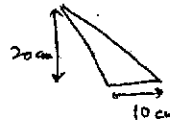
[2]

3

2 In the square grid below, AE, CG, AB, BC, FG and FE are straight lines.



What is the total area of the shaded parts as shown in the figure?



$$\frac{1}{2} \times 10 \times 20 = 100$$

$$100 \times 4 = 400$$

Ans: 400 cm<sup>2</sup> [2]

2

4 A farmer harvested 123.29 kg of groundnuts in the morning.

- (a) How many grams of groundnuts did the farmer harvest in the morning?
- (b) The farmer then harvested another 88 kg 710 g of groundnuts in the afternoon. All the groundnuts harvested by the farmer in the morning and afternoon were packed into bags of 100 g each. How many such bags of groundnuts were there?

$$123.29 \times 1000 = 123\ 290$$

$$123\ 290 + 88\ 710 = 212\ 000$$

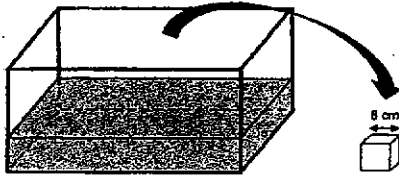
$$212\ 000 \div 100 = 2120$$

Ans: (a) 123 290 [1]

(b) 2120 [3]

4

- 5 A rectangular tank was  $\frac{2}{5}$ -filled with water at first. Some of the water from the rectangular tank was poured into an empty cubical container of sides 8 cm each to the brim. The rectangular tank then became  $\frac{1}{3}$ -filled with water.



- (a) What was the volume of water in the cubical container when it was filled to the brim?  
 (b) What was the capacity of the rectangular tank? Give your answer in litres and millilitres.

$$\frac{2}{5} - \frac{1}{3} = \frac{6}{15} - \frac{5}{15} = \frac{1}{15}$$

$$8 \times 8 \times 8 = 512$$

$$1 \text{ unit} = 512$$

$$15 \text{ units} = 512 \times 15 = 7680$$

$$7680 \text{ cm}^3 = 7 \text{ L } 680 \text{ ml}$$

Ans: (a)  $\frac{512 \text{ cm}^3}{1}$   
 (b)  $\frac{7 \text{ L } 680 \text{ ml}}{3}$

- 6 The table shows the length of ribbon used in each month by Jisoo. The length of ribbon she used in May and June are not shown.

Month	Length of ribbon used (m)
January	129.85
February	130.2
March	132.55
April	140.35
May	
June	

- (a) In which month, from January to April, did Jisoo use the shortest length of ribbon?  
 (b) What was the total length of ribbon Jisoo used in February and April?  
 (c) In June, Jisoo needed 50 pieces of ribbons, each of length 2.2 m. The ribbon was sold in rolls of 10 m each. What was the least number of rolls of ribbon that Jisoo needed to buy?  
 (d) Each of the statements below is either true, false or not possible to tell from the information given. For each statement, put a tick (✓) to indicate your answer.

Statement	True	False	Not Possible to Tell
Jisoo used the longest length of ribbon in May.			✓
Between the months of January and April, the greatest increase in the length of ribbon used was from February to March.		✓	

$$130.2 + 140.35 = 270.55 \quad [1]$$

$$10 \div 2.2 \approx 4.545 \dots$$

$$50 \div 4 = 12.5$$

$$12 + 1 = 13$$

Ans: (a) January [1]  
 (b) 270.55 m [1]  
 (c) 13 [2]

End of Paper