



Anglo-Chinese School (Primary)

MID-YEAR EXAMINATION 2009
MATHEMATICS
PAPER 1 (BOOKLET A)
PRIMARY FIVE

Name: _____ ()

Class: Primary 5 ____

Date: 13 May 2009

Duration of Booklet A & B: 50min

INSTRUCTIONS TO CANDIDATES

1. This question paper consists of 7 printed pages.
2. Do not turn this page until you are told to do so.
3. Follow all instructions carefully.
4. Shade your answer on the Optical Answer Sheet (OAS) provided.
5. You are not allowed to use a calculator.

Questions 1 to 10 carry 1 mark each. Question 11 to 15 carry 2 marks each.
Make your choice (1, 2, 3 or 4). Shade the correct oval (1, 2, 3 or 4) on the Optical Answer Sheet (OAS). (20 marks)

1. In the numeral 373 825, the digit 7 is in the _____ place.

- 1) Tens
- 2) Hundreds
- 3) Thousands
- 4) Ten thousands

2. $(82+27) \times 5 - 2 =$ _____

- 1) 215
- 2) 327
- 3) 435
- 4) 543

3. Which of the following would add up to 3 752 550?

- 1) 3 200 000 + 750 000 + 2 550
- 2) 3 700 000 + 25 000 + 27 550
- 3) 3 350 000 + 400 000 + 52 550
- 4) 3 700 000 + 20 000 + 3 000 + 2550

4. Which of the following numbers when rounded off to the nearest thousands is 852 000?

1) 850(2)35

2) 851(4)98

3) 852(2)98

4) 852(7)82

5. Express 3.14 as a fraction in its simplest form.

1) $3\frac{1}{4}$

2) $3\frac{7}{500}$

3) $3\frac{7}{50}$

4) $3\frac{7}{5}$

6. Jerome has 150 marbles. He gives 90 of his marbles to Mary. What fraction of Mary's marbles does Jerome have?

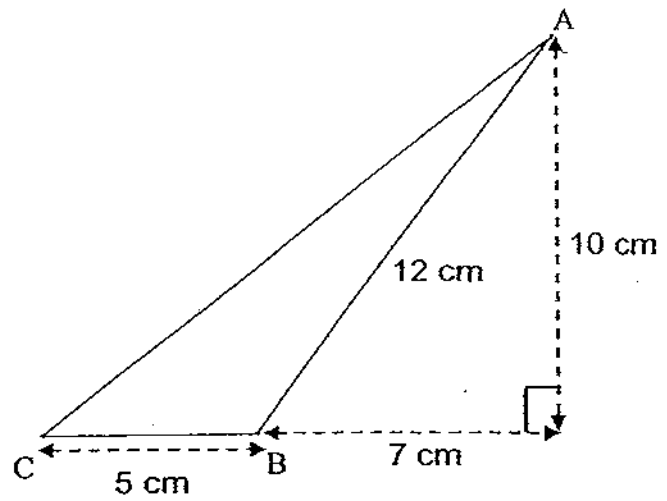
1) $\frac{2}{5}$

2) $\frac{3}{5}$

3) $\frac{2}{3}$

4) $\frac{3}{2}$

7. Find the area of Triangle ABC. (Figure is not drawn to scale)

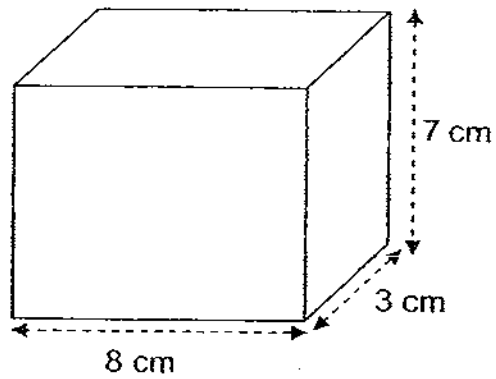


- 1) 20 cm^2
- 2) 25 cm^2
- 3) 40 cm^2
- 4) 45 cm

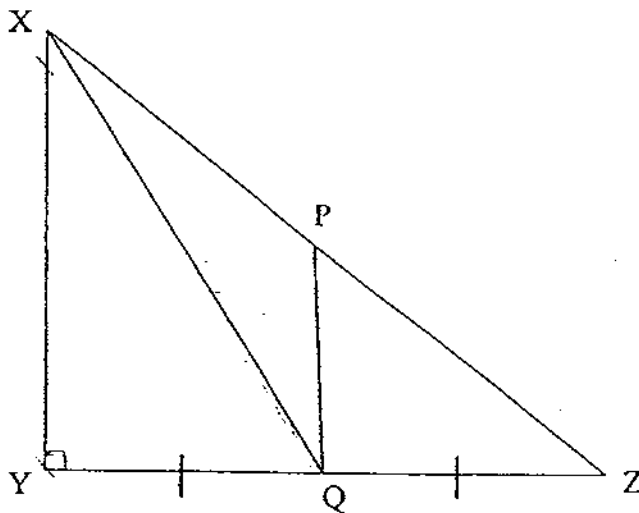
8. Joel and Ashton have 616 paper clips altogether. Joel has 7 times as many paper clips as Ashton. How many paper clips does Joel have?

- 1) 77
- 2) 88
- 3) 264
- 4) 539

9. Find the volume of the figure. (Figure is not drawn to scale)



- 1) 21 cm^3
 - 2) 54 cm^3
 - 3) 56 cm^3
 - 4) 168 cm^3
10. XYZ is a right angle triangle and the length of YQ is equal to the length of QZ. Triangle XYQ has an area of 20 cm^2 . What is the area of Triangle XQZ?

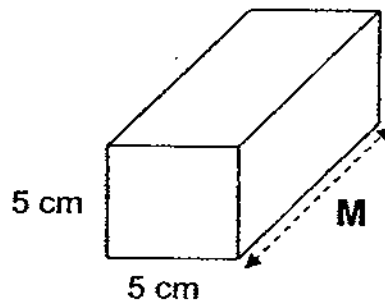


- 1) 5 cm^2
- 2) 10 cm^2
- 3) 20 cm^2
- 4) 40 cm^2

11. $\frac{1}{5}$ of Phillip's mass is equivalent to $\frac{2}{3}$ of Mark's mass. Express Phillip's mass as a ratio of their total mass.

- 1) 4 : 15
- 2) 10 : 3
- 3) 10 : 13
- 4) 3 : 13

12. The figure has a volume of 275 cm^3 . What is the length of M?



- 1) 11 cm
 - 2) 25 cm
 - 3) 27 cm
 - 4) 55 cm
13. The ratio of the number of Ernest's stamps to the number of Peter's stamps was 2 : 5. After Ernest gave $\frac{1}{4}$ of his stamps to Peter, he was left with 51 stamps. How many stamps did Peter have in the end?

- 1) 17
- 2) 108
- 3) 153
- 4) 187

14. In a class, $\frac{1}{3}$ of the students are boys and the rest are girls. $\frac{1}{5}$ of the girls wear spectacles. None of the boys wear spectacles. What fraction of the class wears spectacles?

1) $\frac{1}{15}$

2) $\frac{2}{15}$

3) $\frac{2}{5}$

4) $3\frac{1}{3}$

15. In a box of marbles, $\frac{2}{7}$ are blue, $\frac{3}{5}$ of the remaining marbles are red and the rest are green. If there are 42 green marbles, how many marbles are there in the box?

1) 21

2) 98

3) 105

4) 147



Anglo-Chinese School (Primary)

MID-YEAR EXAMINATION 2009
MATHEMATICS
PAPER 1 (BOOKLET B)
PRIMARY FIVE

Name: _____ () Class: Primary 5 _____

Date: 13 May 2009

Duration of Paper Booklet A & B: 50 min

Parent's/Guardian's signature _____

INSTRUCTIONS TO CANDIDATES

1. This question paper consists of 7 printed pages.
2. Do not turn this page until you are told to do so.
3. Follow all instructions carefully.
4. Answer all questions.
5. You are not allowed to use a calculator.

Section	Number of Marks	% of Total Marks
Paper 1 Booklet A. Multiple-Choice Questions	20	
Paper 1 Booklet B. Short answers: Part 1	10	
Paper 1 Booklet B. Short answers: Part 2	10	
Total Marks	40	

Questions 16 to 25 carry 1 mark each. Write your answers in the spaces provided. (10 marks)

16. The product of two numbers is 4340. If the smaller number is 35, what is the bigger number?

Ans : _____

17. Write five million, eighty thousand and forty in numeral.

Ans : _____

18. State the remainder when 9 871 is divided by 12.

Ans : _____

19. What is the missing number in the box below?

$$13 \times 8 = 13 + 26 + 13 \times \boxed{}$$

Ans : _____

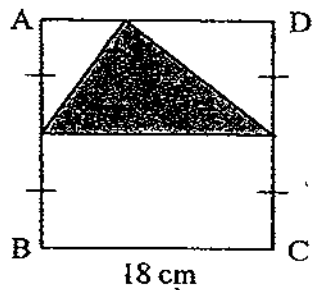
20. Find the difference between $4\frac{5}{6}$ and $2\frac{2}{3}$. Give your answer in its simplest form.

Ans : _____

21. How many $\frac{3}{5}$ are there in 51?

Ans : _____

22. In the figure, ABCD is a square. Find the area of the shaded triangle.



Ans : _____ cm²

23. Ali, Brandon and Rahul shared some marbles in the ratio 5 : 2 : 9. Rahul had 108 marbles. How many more marbles did Ali have than Brandon?

Ans : _____

24. Arthur bought a computer at \$2500 and 2 mini theatre systems at \$1500 each. He paid for the items over 25 months. Given that he paid the same amount every month, how much did he pay each month?

Ans :\$ _____

25. There were 18 teachers and 142 pupils in a school. What fraction of the people in the school were teachers?

Ans : _____

Questions 26 to 30 carry 2 marks each. Show all mathematical statements clearly in the space below each question and write your answers in the spaces provided. (10 marks)

26. Sarah ate $\frac{1}{5}$ of a cake. Her sister ate $\frac{1}{3}$ more cake than Sarah. Find the ratio of the amount of cake left to the total amount of cake at first.

Ans : _____

27. Ahmad's current age is a multiple of 3. Next year, his age will be a multiple of 4. What is his age next year if he is between 20 and 30 years old this year?

Ans : _____

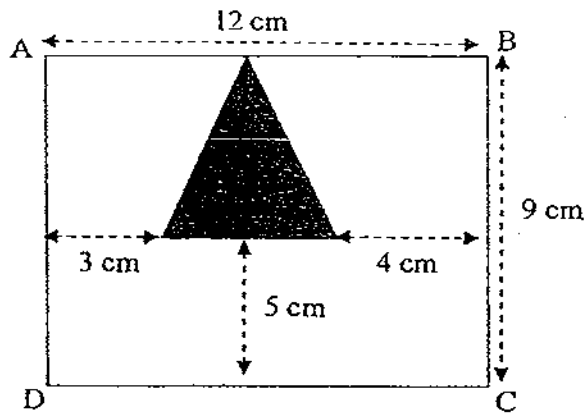
28. 3 mugs and 2 saucers weigh $3\frac{3}{5}$ kg. If 3 saucers weigh $\frac{9}{10}$ kg, what is the mass of 5 mugs?

Ans : _____ kg

29. Bala bought $\frac{2}{3}$ of the pens found in a shop at \$0.60 each. He gave the cashier \$50 and was given \$28.40 in change. How many pens did the shop have altogether?

Ans : _____

30. ABCD is a rectangle. Find the area of the shaded region.



Ans : _____ cm^2

End of Paper 1



Anglo-Chinese School (Primary)

MID-YEAR EXAMINATION 2009
MATHEMATICS
PAPER 2
PRIMARY FIVE

Name: _____ ()

Class: Primary 5 _____

Date: 13 May 2009

Duration of Paper 2: 1h 40min

Parent's/Guardian's signature

INSTRUCTIONS TO CANDIDATES

1. This question paper consists of 13 printed pages.
2. Do not turn this page until you are told to do so.
3. Follow all instructions carefully.
4. Answer all questions.
5. You are allowed to use a calculator.

Section	Expected Marks	Marks obtained
Paper 2 Section B. Short answers part 2	10	
Paper 2 Section C. Problem Sums	50	
Total Marks	60	

Questions 1 to 5 carry 2 marks each. Show your mathematical statements clearly in the space provided for each question and write your answers in the spaces provided. (10 marks)

1. Shaun bought some erasers. After packing them equally into 35 bags, he had 8 erasers left. If each bag had 25 erasers, how many erasers did Shaun buy?

Ans : _____

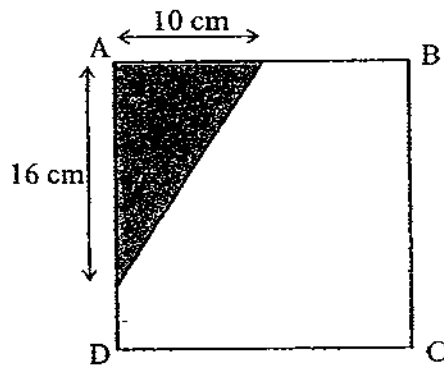
2. Ben and Kevin have \$12 000 together. Ben has $\frac{7}{8}$ as much money as Kevin. How much money does Kevin have?

Ans :\$ _____

3. Sharon and Nicole each saved \$7 000. Sharon took 25 months less than Nicole to save that amount. If Nicole saved \$140 a month, how much did Sharon save in a month?

Ans: \$ _____

4. The figure, ABCD is a square. If the area of the shaded triangle is $\frac{1}{5}$ the area of square ABCD, find the length of one side of the square.



Ans: _____ cm

5. Container A, measuring 30 cm by 20 cm by 30 cm, is $\frac{4}{5}$ filled with water. After some water was poured out, Container A is $\frac{2}{3}$ full. What is the amount of water that has been poured out?

Ans: _____ cm^3

For questions 6 to 18, show your steps clearly in the space provided for each question and write your answers in the spaces provided.

For questions which require units, give your answers in the units stated.

The number of marks available is shown in brackets [] at the end of each question or part-question. (50 marks)

6. Find the sum of even numbers ranging from 1 to 50.

Ans : _____ [3]

7. Nathan spent $\frac{2}{5}$ of his money on a watch which cost \$90. If he had bought a book instead, he would have only spent $\frac{1}{4}$ of his money. How much did the book cost?

Ans : _____ [3]

8. 4 similar pens and 5 similar markers cost \$28. If Ashley had bought 2 such pens and 3 such markers, he would have paid \$12 lesser. What was the cost of each such pen?

Ans : _____ [3]

9. On a farm, there were 3 times as many cows as goats. After 24 cows were sold, there were 3 times as many goats as cows. What was the total amount of cows and goats at first?

Ans : _____ [3]

10. Adam has twice as many game cards as Brian. Conrad has 8 game cards less than Brian but 15 more game cards than Dave. The 4 boys have 154 game cards altogether. How many game cards does Adam have?

Ans : _____ [3]

11. After using $\frac{1}{7}$ of his charcoal, the stall owner bought another 75 kg of charcoal. As a result, the stall owner now has $\frac{9}{7}$ as much charcoal as what he had at first. How many kilograms of charcoal did the stall owner have at first?

Ans : _____ [4]

12. A chair costs \$48 at the Furniture mall. During a sale, for every 3 chairs bought, the 4th chair can be bought at a discount of \$10 off the original price.

How many chairs does Mr Lee buy if he pays \$1 188 altogether?

Ans : _____ [4]

13. Mr Koh spent $\frac{1}{15}$ of his salary and gave the rest to his wife and 2 sons, Jack and Daniel, in the ratio 7 : 4 : 5. Daniel decided to give \$70 to Jack so that the two boys will have the same amount of money. What was Mr Koh's salary?

Ans : _____ [4]

14. The table below shows the charges for taxi fare by a local taxi company.

Booking fee	\$3.20
First 1 000 m	\$2.80
Every additional 100 m or part thereof	\$0.20

- (a) If Mrs Cheng travelled 8 500 m from her house to her office in a taxi, how much did she pay if she had booked the taxi?
- (b) Another passenger, Mrs Tan flagged down the taxi. Mrs Tan paid \$15.20. What was the distance travelled in the taxi by Mrs Tan?

Ans : (a) _____ [2]

(b) _____ [2]

15. The volume of water in bottle P was $\frac{3}{5}$ of that in bottle Q. After 60 ml of water was added to bottle P and 20 ml was poured away from bottle Q, the amount of water in bottle P was $\frac{3}{4}$ that in bottle Q. What was the amount in each bottle at first?

Ans: P: _____, Q: _____ [4]

16. A cuboid has a square base of perimeter 84 cm. The ratio of the length of the square to the height of the cuboid is 3 : 8. Find
- (a) the base area of the cuboid.
 - (b) the volume of the cuboid.

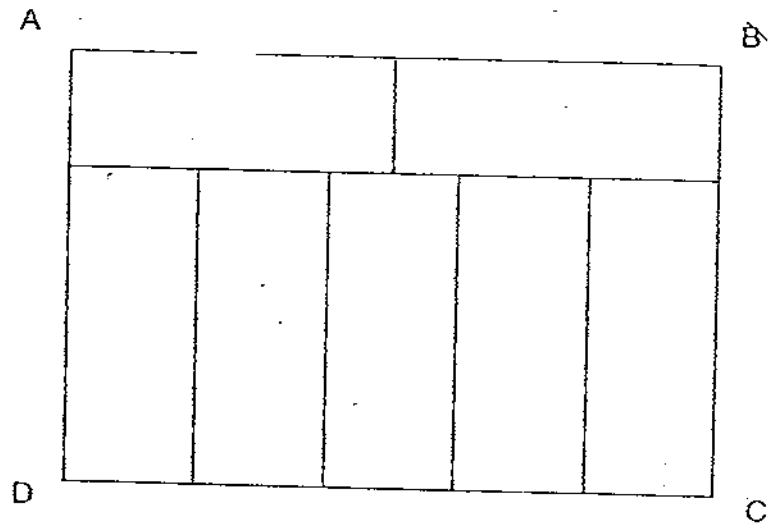
Ans : (a) _____ [2]

(b) _____ [3]

17. In a swimming school of 84 students, $\frac{1}{8}$ of the girls passed the swimming test and $\frac{4}{5}$ of the boys passed the swimming test. A total of 24 students passed the swimming test. How many girls failed the swimming test?

Ans : _____ [5]

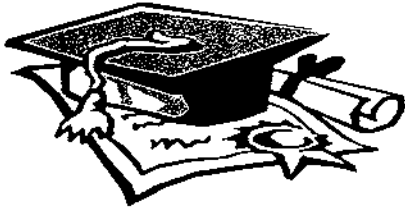
18. The rectangle ABCD of perimeter 170cm can be divided into 7 identical rectangles as shown in the diagram. Find the area of the rectangle ABCD.



Ans : _____ [5]

End of Paper



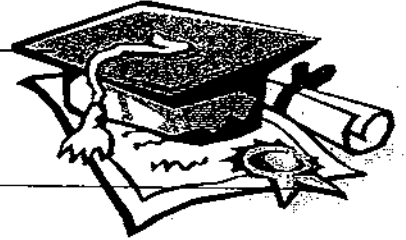


ANSWER SHEET

EXAM PAPER 2009

SCHOOL : ACS PRIMARY SCHOOL
SUBJECT : PRIMARY 5 MATHEMATICS

TERM : SA 1



Q1	Q2	Q3	Q4	Q5	Q6	Q7	Q8	Q9	Q10	Q11	Q12	Q13	Q14	Q15
4	4	2	3	3	3	2	4	4	3	3	1	4	2	4

- 16)124 17)5080040 18)7 19)5 20) $2\frac{1}{6}$
21)85 22)81cm² 23)36 24)\$220 25) $\frac{9}{80}$
26)4:15 27)28 years old 28)5kg 29)54 pens 30)10cm²

Paper 2

1) $35 \times 25 = 875$ $875 + 8 = 883$ erasers. Shaun bought 883 erasers.	2) $8 + 7 = 15$ $\$12000 \div 15 = \800 $\$800 \times 8 = \6400 Kevin has \$6400.
3) $7000 \div 140 = 50$ $50 - 25 = 25$ $7000 \div 25 = 280$ Sharon saves \$280 in a month	4) $16 \times 10 \times \frac{1}{2} = 80$ $80 \times 5 = 400$ $20 \times 20 = 400$ The length of one side of the square is 20cm.

<p>5) $30 \times 20 \times 30 = 18000$ $18000 \div 5 = 3600$ $3600 \times 4 = 14400$ (4/5) $18000 \div 3 = 6000$ $6000 \times 2 = 12000$ $1440 - 12000 = 2400 \text{cm}^2$</p>	<p>6) $2 + 12 + 22 + 32 + 42 = 110$ $4 + 14 + 24 + 34 + 44 = 120$ $6 + 16 + 26 + 36 + 46 = 130$ $8 + 18 + 28 + 38 + 48 = 140$ $10 + 20 + 30 + 40 + 50 = 150$ $110 + 120 + 130 + 140 + 150 = 650$</p>
<p>7) $\\$90 \rightarrow 2u$ $90 \div 2 = 5$ $45 \times 5 = 225$ $225 \div 4 = \\$56.25$ The book costs \$56.25</p>	<p>8) $4p + 5m \rightarrow \\$28$ $2p + 3m \rightarrow \\$16$ $4p + 6m \rightarrow 16 \times 2 = 32$ $1m \rightarrow 32 - 28 = 4$ $4 \times 5 = 20$ $28 - 20 = 8$ $1p \rightarrow 8 \div 4 = \\2 The costs of each such pen is \$2.</p>
<p>9) $8u \rightarrow 24$ $1u \rightarrow 24 \div 8 = 3$ $12u \rightarrow 3 \times 12 = 36$ There were 36 cows and goats at first.</p>	<p>10) $15 \times 4 = 60$ $8 \times 3 = 24$ $60 + 24 = 84$ $154 - 84 = 70$ $70 \div 5 = 14$ $14 \times 2 = 28$ $15 \times 2 = 30$ $8 \times 2 = 16$ $28 + 30 + 16 = 74$ Adam has 74 game cards.</p>
<p>11) $1 - 1/7 = 6/7$ $9/7 - 6/7 = 3/7$ $75 \div 3 = 25$ $25 \times 7 = 175 \text{kg.}$</p>	<p>12) $48 \times 20 = 960$ $20 \div 3 = 6 \text{ R}2$ $6 \times 38 = 228$ $960 + 228 = 1188$ $20 + 6 = 26$ chairs. He can buy 26 chairs.</p>

<p>13) $\frac{1}{2} u \rightarrow \\70 $1u \rightarrow 70 \times 2 = 140$ $7 + 4 + 5 = 16$ $16u \rightarrow 140 \times 6 = 2240$ $2240 \div 14 \times 15 = \\$2400.$ Mr Koh's salary as \$2400.</p>	<p>14) a) Booking fee $\rightarrow \\$3.20$ First 1000m $\rightarrow \\$2.80$ $8500 - 1000 = 7500$ $7500 \div 100 = 75$ $75 \times 0.20 = 15$ $3.20 + 2.80 + 15 = 21$ b) $15.20 - 2.80 = 12.40$ $12.40 \div 0.20 = 62$ $62 \times 100 = 6200$ $6200 + 1000 = 7200m.$</p>
<p>15) $12u + 240 = 15u - 60$ $15u - 12u = 3u$ $240 + 60 = 300$ $3u \rightarrow 300$ $1u \rightarrow 300 \div 3 = 100$ $3u \rightarrow 100 \times 3 = 300$ $5u \rightarrow 100 \times 5 = 500$ ANS: P: 300ml, Q: 500ml.</p>	<p>16) a) $84 \div 4 = 21$ $21 \times 21 = 441$ The base area is $441cm^2$ b) $21 \div 3 = 7$ $7 \times 8 = 56$ $21 \times 21 \times 56 = 24696$ The volume of the cuboid is $24696cm^3$</p>
<p>17) 56 girls.</p>	<p>18) $1750cm^2$</p>